

# OUTDOOR PATIO COVERS



# OUR MISSION

Creating healthy spaces



Paul Renson

Renson specialises in ventilation, sun protection, and patio covers. With experience dating back to 1909, and a team of around 800 employees, we have been developing solutions aimed at achieving a healthy and comfortable living and work environment for the consumer. In doing this, we take into account energy-efficiency requirements and the use of renewable energy, as well as maintenance friendliness. We develop innovative products and systems, and offer total solutions to make every house into a healthy and comfortable home.

In addition, we also think of the aesthetic value of each building. Thus, our ventilation and sun protection systems can be integrated almost invisibly. Our patio covers and aluminium blades for façade cladding provide clear accents, offering added value to the architecture. Inside, we ensure that doors are integrated invisibly without conspicuous frames or visible hinges.

*“We not only develop innovative solutions, but we also think of ways to contribute added aesthetic value to each building.”*

---

**Discover how Renson products can optimise the comfort experience within a contemporary design.**

---

# TABLE OF CONTENTS

## INTRO

Extend your summer p. 4

## OVERVIEW OF THE RANGE

p. 6

## PRODUCTS

Seven types of patio covers p. 8

Camargue® p. 10

Skye® p. 16

Algarve® / Algarve® Roof p. 22

Lagune® p. 30

Lapure® p. 36

Toscane® p. 42

## OPTIONS

Customisation options p. 48

Roof elements p. 52

Side elements p. 54

Lighting & Heating p. 76

Glass roof blades – Lineo® Luce p. 80

Paint colours p. 82

Control p. 84

## GENERAL

Tests p. 86

Warranty p. 88

Maintenance p. 89

FAQ and Tips p. 90

Renson® Academy p. 96

Renson® Pre-sales & After-sales p. 96



# EXTEND YOUR SUMMER!

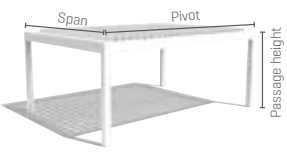
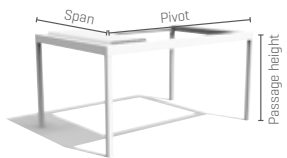
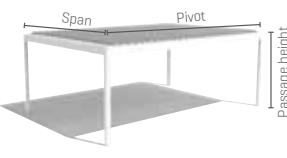
Regardless of the weather, we enjoy spending as much time outdoors as possible. The garden is no longer separate from the house; both form a single unit. This also makes us yearn for more atmosphere, comfort, and optimal joie de vivre while being outdoors. Being outside becomes living outside!

This is why Renson developed the Healthy Outdoor Concept.


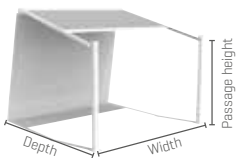
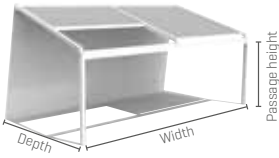
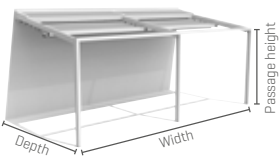
- The flow of fresh air and protection from the rain and wind provides physical comfort.
- Protection from the sun and wind keeps the space from getting too hot or too cold, thus guaranteeing ambient comfort.
- The front and sides of our structures can be closed off by means of moveable, transparent elements, thus providing comfort through visual contact with the surrounding area.

Renson's many years of experience in sun protection screens and ventilation allows it to boost outdoor spaces to a higher level. Through the proper application of techniques and innovative products, you can also enjoy your garden during the intermediate seasons.

# OVERVIEW OF THE RANGE

	CAMARGUE®	SKYE®	ALGARVE®	
	 patented technology	 patented technology	 patented technology	
<b>Roof options</b>	<b>Rotating aluminium blades</b>	<b>Retractable, rotating blades</b>	<b>Rotating aluminium blades</b>	
<b>Dimensions</b>				
Max. width/pivot	6,200	6,200	6,050	
Max. depth/Span	4,500	4,500	4,500	
Max. passage height	2,800	2,800	2,800	
Joinable	joinable with multiple parts	joinable with multiple parts on the span side	two-part joinable	
Min. incline	no incline [0°]	no incline [0°]	no incline [0°]	
<b>Technical specifications</b>				
Integrated water drainage	standard (incl. PVC drainage pipes in column)	standard (incl. PVC drainage pipes in column)	standard	
Integrated cables	standard	standard	not applicable	
Integrated motor	standard	standard	not applicable	
Operating switch	not applicable	possible	option	
RTS operation	standard	possible	standard	
IO Home Control® operation	not applicable	not applicable	not applicable	
app operation	not applicable	standard	not applicable	
<b>Customisation</b>				
Triangle	not applicable	not applicable	not applicable	
Glass roof blades – Lineo® Luce	option	not applicable	option	
Wooddesign roof blades	option	option	option	
Integrated vertical windproof screens	option	option	not applicable	
Sliding door Loggiascreen® Canvas	option	option	not applicable	
Sliding glass walls	option	option	not applicable	
Combination of sliding glass walls and integrated windproof screens	option	option	not applicable	
Sliding wall in Loggiawood® / Loggialu® Wooddesign/ Loggiascreen® Canvas / Loggialu® / Loggialu® Stirata / Loggialu® Plano / Loggialu® Linea / Loggialu® Privacy / Loggiawood® Privacy	option	option	not applicable	
Windproof screens (surface-mounted) with Fixscreen® 100 EVO Slim F / Fixscreen® 150 EVO F	not applicable	not applicable	option	
Integrated LED lighting	option	option	option	
Beam with Heat and Sound	option	option	option	
Linus fixed wall	option	option	option	
Weather-resistant outdoor curtain	option	option	option	

\* 1 roof section between 4 and 6 m: a connector bar (with or without LED) must be used

	<b>ALGARVE® ROOF</b>	<b>LAPURE®</b>	<b>LAGUNE®</b>	<b>TOSCANE®</b>
				
	patented technology	patented technology	patented technology	patented technology
	<b>Rotating aluminium blades</b>	<b>Retractable, watertight, transparent sun protection screen</b>	<b>Retractable, watertight, transparent sun protection screen</b>	<b>Aluminium patio cover with folding roof</b>
	6,050	6,000*	6,000	4,500
	4,500	5,000	6,200	6,500
	not applicable	2,900	2,500	2,500
	two-part joinable	joinable up to max. width of 18 m	joinable to max. width of 12 m	joinable up to 13 m with a single-fabric screen
	no incline [0°]	10°	8°	starting at 4° [depending on the width]
	standard	standard [depending on the type]	standard [incl. PVC drainage pipes in column]	standard
	not applicable	standard	standard	not applicable
	not applicable	standard	standard	standard
	option	not applicable	not applicable	not applicable
	standard	standard	option at no extra cost	standard
	not applicable	option at no extra cost	standard	not applicable
	not applicable	not applicable	not applicable	not applicable
	not applicable	option	option	option
	option	not applicable	not applicable	not applicable
	option	not applicable	not applicable	not applicable
	not applicable	not applicable	option	option [Front]
	not applicable	option	option	not applicable
	not applicable	not applicable	option	option
	not applicable	not applicable	option	option [Front]
	not applicable	not applicable	option [Side]	option [Front]
	option	option	not applicable	option [Side]
	option	option	option	option
	option	option	option	option
	not applicable	not applicable	not applicable	not applicable
	not applicable	not applicable	not applicable	not applicable

# SEVEN TYPES OF PATIO COVERS

To meet the demand to be in the outdoors more, Renson's years of experience are utilised to develop healthy and attractive outdoor enclosures where you can enjoy the garden and surrounding area to the utmost. This outdoor space can be created using a patio cover. There are seven types of patio covers in the Renson range: Algarve, Algarve Roof, Camargue, Skye, Lagune, Lapure and Toscane.

## ALUMINIUM LOUVERED ROOFS

### CAMARGUE®

An innovative, modular patio cover featuring sun protection through motorized horizontal aluminium blades as well as completely invisible, integrated side elements.



### SKYE®

A modular, innovative and fully closable patio cover featuring adjustable aluminium blades that slide open, as well as completely invisible, integrated side elements.



### ALGARVE®

A waterproof patio cover featuring sun protection through adjustable horizontal aluminium blades. Surface mounted side elements are available.



### ALGARVE® ROOF

A waterproof horizontal roof offering sun protection through adjustable aluminium blades. Integration into new or existing architecture of stone, wood or other materials is possible.





## SCREEN ROOFS

### LAPURE®

A minimalist patio cover with no horizontal support for open, panoramic views. Retractable sun screen roof is waterproof and windproof.



### LAGUNE®

A patio cover featuring an innovative waterproof, windproof, transparent fabric that covers the retractable roof. Integrated side elements are also available, allowing you to create the perfect cocoon.



## VELUM FABRIC ROOFS

### TOSCANE®

A new type of patio cover featuring a folding roof built using patented technology. Invisible integrated side elements make it ideal for large surface areas.



# CAMARGUE®

Innovative and modular patio cover with a horizontal sun protection roof featuring rotating blades.



Camargue is an innovative, modular patio cover with a bladed roof that can be closed off on all sides using windproof integrated Fixscreens, sliding glass walls, Loggia sliding panels, or a combination thereof.

The roof is made of extruded aluminium blades that can be rotated to regulate sun protection and ventilation depending on your needs. The blades are easily controlled using a Somfy remote control. It is waterproof when closed. The water drains off to the columns via the integrated water guide channels. This water removal system also works when you rotate the blades to the fully open position after it rains, which ensures furniture on the terrace is still protected.

By adding side elements, you create infinite possibilities for customisation. Windproof, motorised Fixscreen sun protection screens are available in 50 colours and can be fitted with Crystal Windows. Glass sliding doors can be integrated, also in combination with integrated Fixscreens!

Loggia sliding panels are another option. These can be provided with the same fabric as the screens, in Western Red Cedar or aluminium blades.

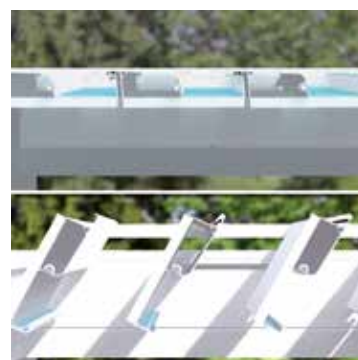
A great deal of attention is also given to the quality of the finish. For example, the fixation components are practically invisible, all of the electrical cables can be concealed, and invisible floor mounting is also possible.

The Camargue's design and high-quality materials keep maintenance to a minimum, while simultaneously guaranteeing exceptional durability.

Camargue fits in with any architectural style thanks to its availability in any RAL colour and the various customisation options.



*Efficient, integrated water drainage*



*Controlled water drainage, also when blades are open*





## INSTALLATION TYPES

There are two types of installation for the Camargue: free-standing and façade mounted.

For **installation type 1, free-standing**, the frame of the Camargue is supported by four vertical columns.

For **installation type 2, fitted to an outside wall**, one side of the frame is placed against a supporting, load-bearing construction/structure and partially supported by vertical columns.

The blades can be positioned parallel or perpendicular to the supporting structure. There are three construction situations in which the frame is supported by one or two columns:

### Construction situation 1:

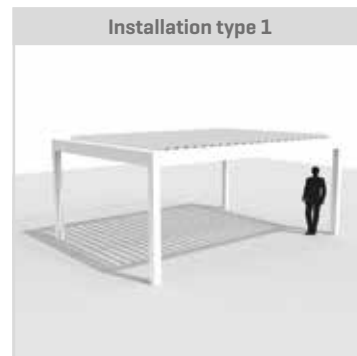
Wall // Span side: Blades are parallel to the supporting structure.  
Two columns standard

### Construction situation 2:

Wall // Pivot side: Blades are perpendicular to the supporting structure.  
Two columns standard

### Construction situation 3:

Wall // Span side and wall // Pivot side  
One column standard



*Free-standing*



*Façade mounting*



# CAMARGUE®

## DIMENSIONS

The Camargue consists of an aluminum horizontal sun protection roof, fitted with a system of patented, rotating extruded aluminium blades, and either one, two or four supporting vertical columns depending on the installation type / site conditions.

The following dimensions are important when ordering a Camargue:

Span  $\boxed{S}$  = Max. 4,500 mm

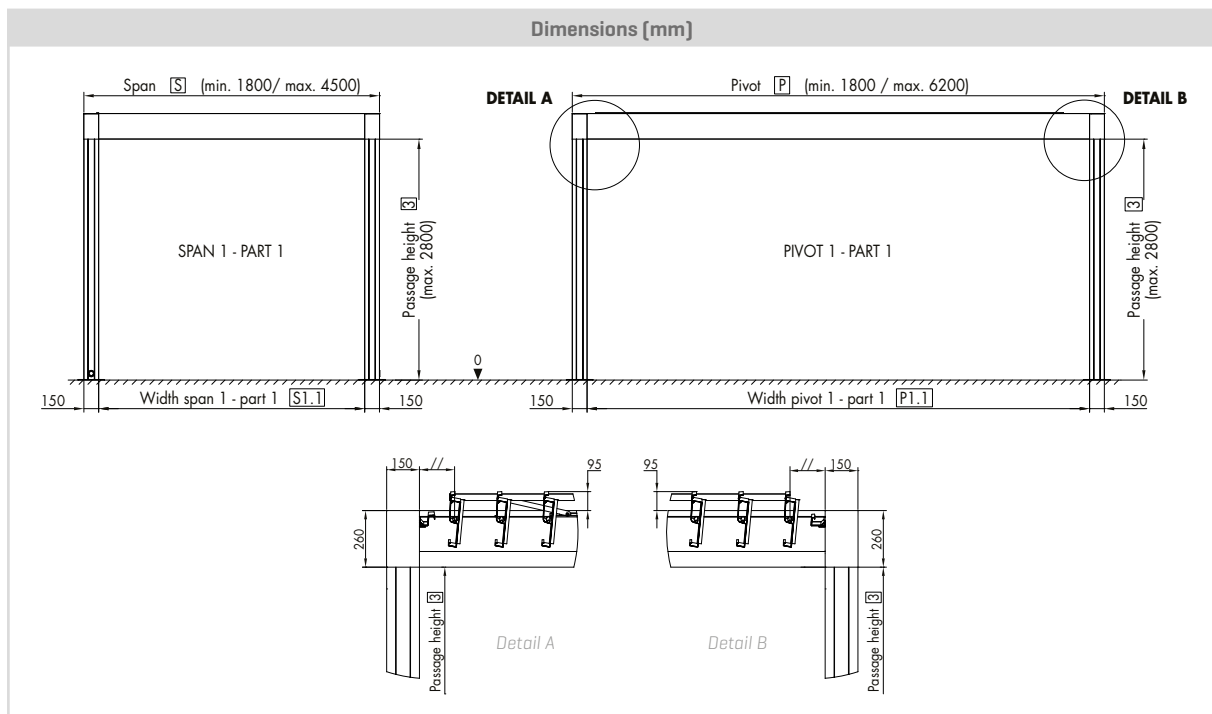
Pivot  $\boxed{P}$  = Max. 6,200 mm

Passage height  $\boxed{3}$  = Max. 2,800 mm

Total height  $\boxed{4}$  = Passage height + frame height [260 mm].

During the planning phase, the following points are taken into account:

When rotating, the blades rise 95 mm above the total height [detail A & B].



## JOINABLE!

The Camargue can be extended using one of the larger spans or pivots to cover larger areas. In this case, a coupling side beam is used.



two-part joinable on the Pivot side to extended Span



two-part joinable on the Span side to the extended Pivot



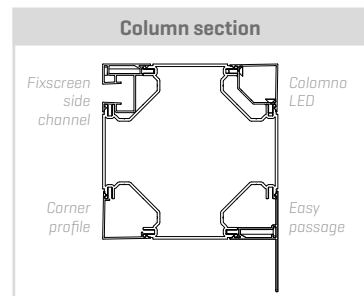
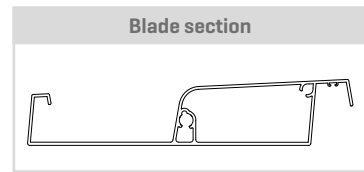
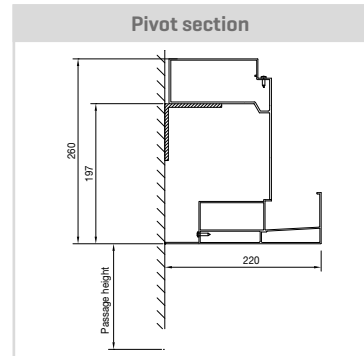
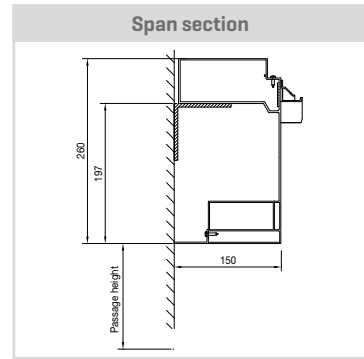
Joinable with multiple parts on the Pivot and/ or Span side

## FRAME

The roof construction has a strong frame that goes all the way around and is built using four extruded aluminium frame profiles. There are two types of frame profiles: the Span frame profile and Pivot frame profile.

**Span:** These frame profiles are located on the Span side of the patio cover and are parallel to the blades. There is an integrated gutter along one of the Span sides in the Span frame profile that redirects the water from the gutters to the Pivot side. At the same time, the frame creates a box for the integrated sun protection fabric.

**Pivot:** These frame profiles are located on the Pivot side of the patio cover and are perpendicular to the blades. The frame profile is fitted with bearings in which the blades' axles turn. The Pivot frame profile is always fitted with a gutter, including diffuser [to minimise splashing water]. At the same time, the frame creates a box for the integrated sun protection fabric.



## BLADE

The bottom of the rotating blade is completely flat so that the bladed roof has a lovely, smooth surface underneath when closed. The top surface has precisely aligned edges and is fitted with a gutter for water drainage. An extra lip on the gutter ensures that the water does not spill over onto the blades when the blade rotates after it rains. The sides of the blade have an aluminium nose to prevent water from running back.

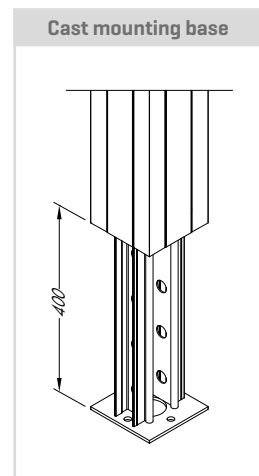
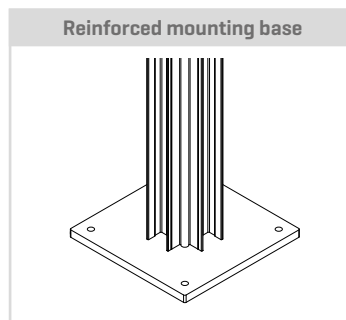
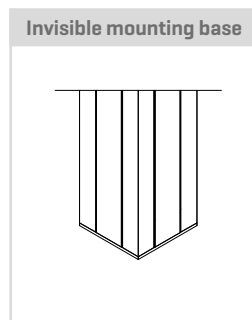
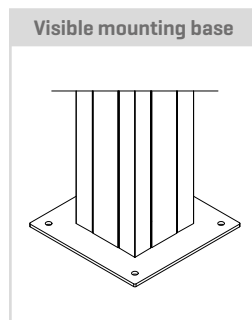
## COLUMN

Depending on the installation situation, the frame is supported in the corners by either four or two vertical columns.

The column consists of a single aluminium profile with basic dimensions of 150 x 150 mm. The shape of the column allows the side channels of the integrated Fixscreen or column lighting to be integrated in an aesthetic manner. The column also forms the foundation for the integrated water drainage and the fixation of the mounting bases. The column fits seamlessly into the front beam and is also visible in the extension of the side channels.

## MOUNTING BASES

There are four types of mounting bases: visible, invisible, cast mounting base, and a reinforced mounting base for extreme wind loads.



## FIXATION

All fixation elements [e.g. screws] are made of stainless steel and are practically invisible.

# SKYE®

Revolutionary patio cover with rotatable and open-sliding aluminium blades





Skye is a completely new and unique patio cover with aluminium rotating and open-sliding roof blades. This new type of patio cover is a revolutionary concept that was developed by Renson.

The roof consists of roof blades that can be rotated to control sun protection and ventilation. It can also slide open to provide the maximum amount of sunlight and an uninterrupted view. When closed, the roof is perfectly flat and there is minimum play between the blades.

The patented S-Drive Technology guarantees a durable, dependable rotating and sliding technology. This ensures the roof opens in one smooth motion.

Rainwater drains off to the columns via the integrated water guide channels. Even when opening the roof after a rain shower, the water-drainage system of the blades ensures that furniture and people on the terrace stay protected.

Skye can be constructed in different ways: free standing, attached to an outer wall, or connected on the Pivot side.

Integrated windproof Fixscreens, sliding glass walls, and Loggia sliding panels provide endless personalisation choices.

Extra ambience and comfort are created by direct or indirect LED lighting on the upper frame, in the columns, or next to speakers and heating elements.

Skye fits any architectural style due to its clean design and its availability in any RAL colour.



*Protection from the sun, rain and cold*



*Maximum amount of light and uninterrupted view*





## INSTALLATION TYPES

There are two types of installation for the Skye: free-standing and façade mounted.

For **installation type 1, free-standing**, the frame of the Skye is supported by four vertical columns.

For **installation type 2, fitted to an outside wall**, one side of the frame is placed against a supporting, load-bearing construction/structure and partially supported by vertical columns.

The blades can be positioned parallel or perpendicular to the supporting structure. There are three construction situations in which the frame is supported by one or two columns:

### Construction situation 1:

Wall // Span side: Blades are parallel to the supporting structure.

Two columns standard

### Construction situation 2:

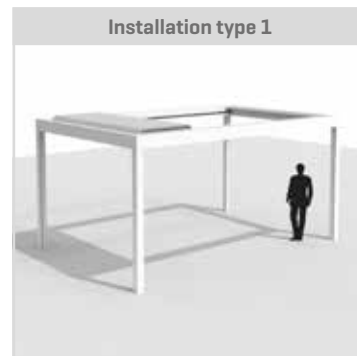
Wall // Pivot side: Blades are perpendicular to the supporting structure.

Two columns standard

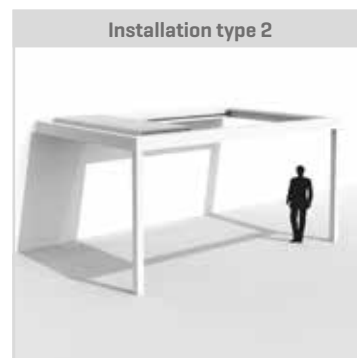
### Construction situation 3:

Wall // Span side and wall // Pivot side

One column standard



*Free-standing*



*Façade mounting*



## DIMENSIONS

The Skye consists of an aluminum horizontal sun protection roof, fitted with a system of patented, rotating and sliding extruded aluminium blades, and either one, two or four supporting vertical columns depending on the installation type / site conditions.

The following dimensions are important when ordering a Skye:

Span **[S]** = Max. 4,500 mm

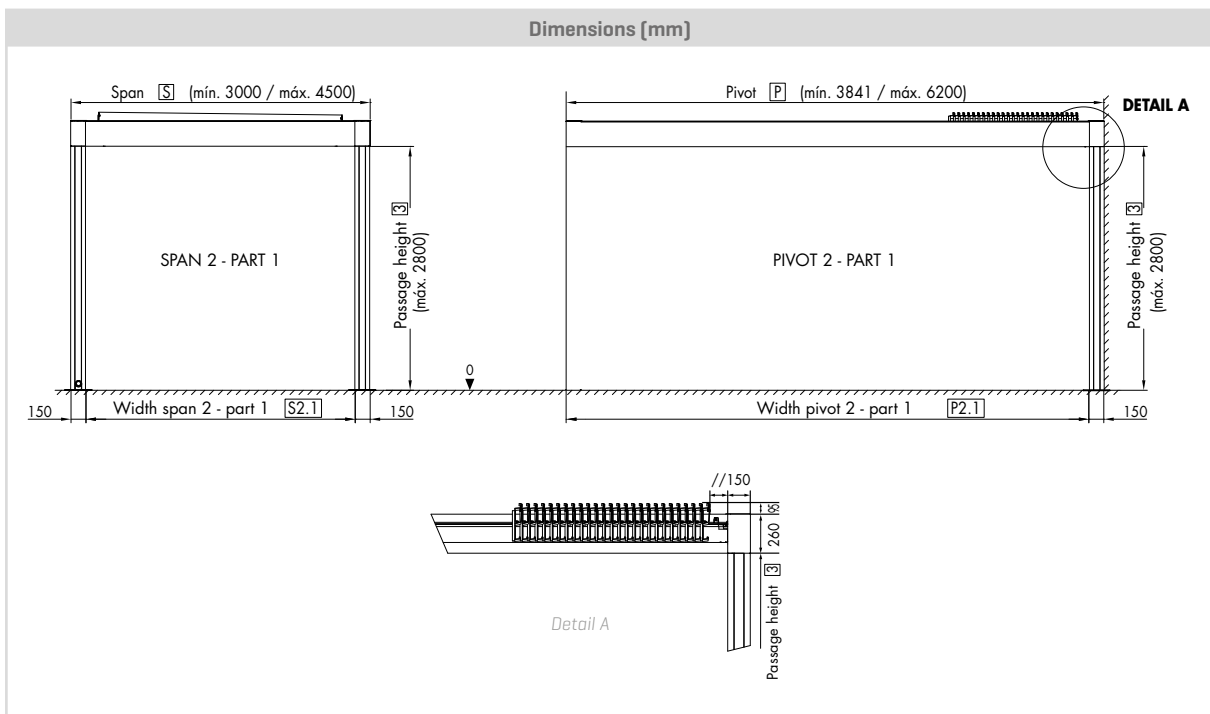
Pivot **[P]** = Max. 6,200 mm

Passage height **[3]** = Max. 2,800 mm

Total height **[4]** = Passage height + frame height [260 mm].

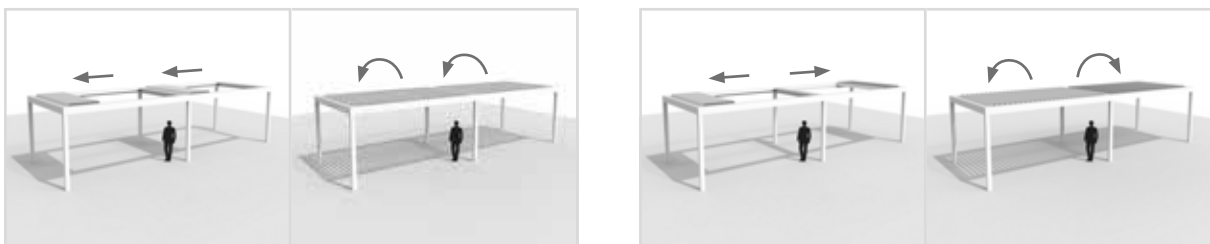
During the planning phase, the following points are taken into account:

When rotating, the blades rise 95 mm above the total height [detail A & B].



## JOINABLE ON THE SPAN SIDE!

The Skye can be extended using one of the larger spans or pivots to cover larger areas. In this case, a coupling side beam is used.



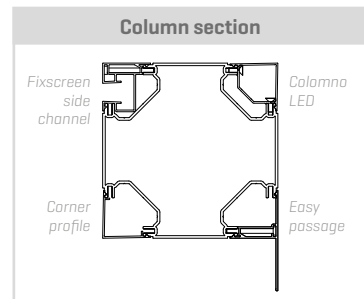
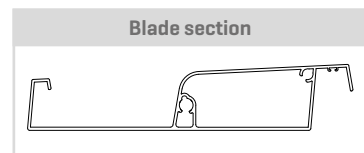
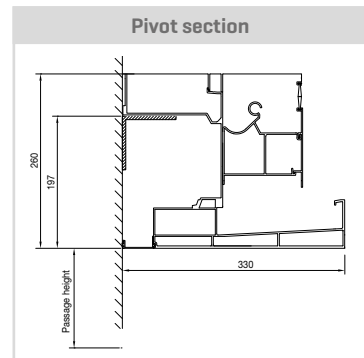
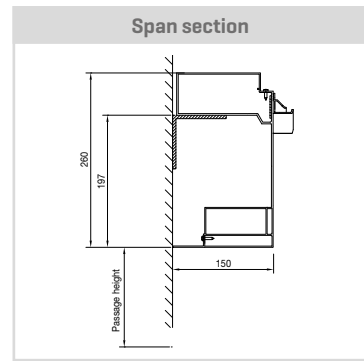
two-part joinable on the Span side to the extended Pivot

## FRAME

The roof construction has a strong frame that goes all the way around and is built using four extruded aluminium frame profiles. There are two types of frame profiles: the Span frame profile and Pivot frame profile.

**Span:** These frame profiles are located on the Span side of the patio cover and are parallel to the blades. There is an integrated gutter along one of the Span sides in the Span frame profile that redirects the water from the gutters to the Pivot side. At the same time, the frame creates a box for the integrated sun protection fabric.

**Pivot:** These frame profiles are located on the Pivot side of the patio cover and are perpendicular to the blades. The frame profile is fitted with bearings in which the blades' axles turn. The Pivot frame profile is always fitted with a gutter, including diffuser (to minimise splashing water). At the same time, the frame creates a box for the integrated sun protection fabric.



## BLADE

The bottom of the rotating and sliding blade is completely flat so that the bladed roof has a lovely, smooth surface underneath when closed. The top surface has precisely aligned edges and is fitted with a gutter for water drainage. An extra lip on the gutter ensures that the water does not spill over onto the blades when the blade rotates after it rains. The sides of the blade have an aluminium nose to prevent water from running back.

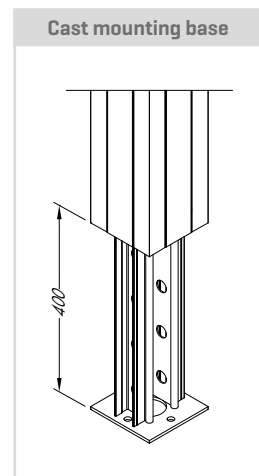
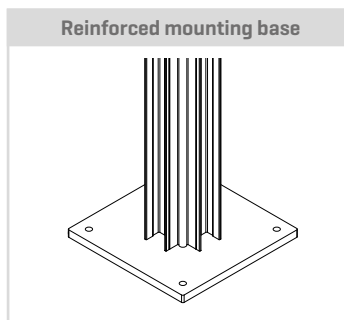
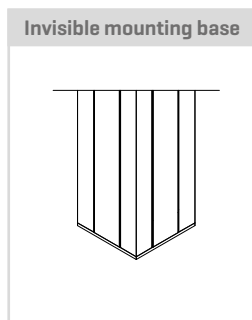
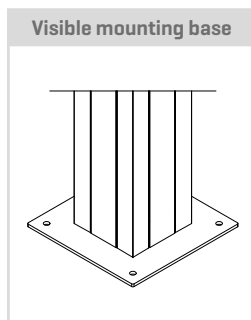
## COLUMN

Depending on the installation situation, the frame is supported in the corners by either four or two vertical columns.

The column consists of a single aluminium profile with basic dimensions of 150 x 150 mm. The shape of the column allows the side channels of the integrated Fixscreen or column lighting to be integrated in an aesthetic manner. The column also forms the foundation for the integrated water drainage and the fixation of the mounting bases. The column fits seamlessly into the front beam and is also visible in the extension of the side channels.

## MOUNTING BASES

There are four types of mounting bases: visible, invisible, cast mounting base, and a reinforced mounting base for extreme wind loads.



## FIXATION

All fixation elements (e.g. screws) are made of stainless steel and are practically invisible.

# ALGARVE®

Patio cover with horizontal sun protection roof with rotating blades



This simple, practical patio cover has a sun protection roof with rotating blades.

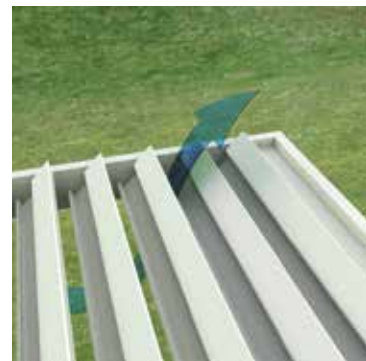
The extruded aluminium blades can be rotated up to 150°, thus providing the possibility to determine for yourself how much sun protection and/or ventilation you desire.

The blades form a waterproof roof when closed. The rainwater is carried to the columns via a drainage gutter.

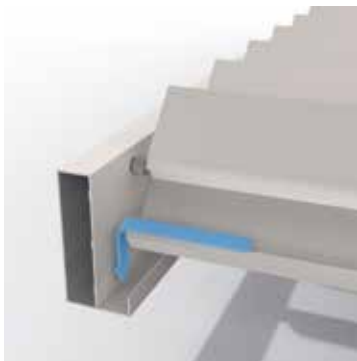
The Algarve fits in with any architectural style, whether contemporary, classic, or modern, thanks to its elegant, light design and availability in any RAL colour.



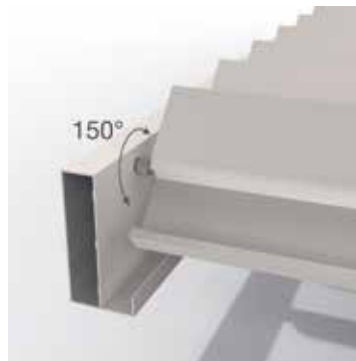
Sun protection



Ventilating



Drainage gutter



150° rotation



Water-resistant



# ALGARVE® 'CLASSIC LINE'

Horizontal sun protection roof with classic finish



The classic finish, using decorative trim and lines in the columns, makes the Algarve 'Classic Line' a durable, maintenance-friendly solution with a beautiful, classic appearance.

This patio cover can be mounted to the wall or used as a stand-alone element, making it the ideal solution for a rustic or classic architectural style.



# ALGARVE® ROOF

Horizontal sun protection roof with adjustable blades for integration into an existing opening or on an existing structure



The Algarve roof is the perfect answer to the trend of having side-buildings that are integrated as much as possible in the garden. You remain in contact with the outdoors when the blades are open. Fresh air enters and you can perfectly control the amount of sunlight allowed in. In bad weather, the entire roof can be sealed watertight.

The Algarve Roof provides the architect with design freedom as the bladed roof can be discreetly integrated with the building or the structure, or by placing it on top of a load-bearing structure [of their own design].



**ALGARVE®**



## INSTALLATION TYPES

There are four possible installation types for the Algarve/Algarve Roof: free-standing, façade mounted, integrated, and surface mounted.

For **installation type 1**, the frame of the Algarve is supported by four vertical columns.

For **installation type 2**, one or two sides of the frame are placed against a supporting, load-bearing construction/structure and partially supported by columns.

The blades can be positioned parallel or perpendicular to the supporting structure.

There are three construction situations in which the frame is supported by one or two columns:

### Construction situation 1:

Wall // Span side: Blades are parallel to the supporting structure.

Two columns standard

### Construction situation 2:

Wall // Pivot side: Blades are perpendicular to the supporting structure.

Two columns standard

Installed with two sides against the supporting, load-bearing construction/structure:

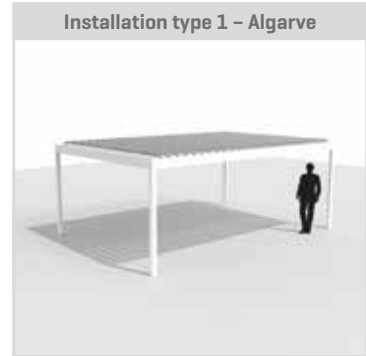
### Construction situation 3:

Wall // Span side and wall // Pivot side

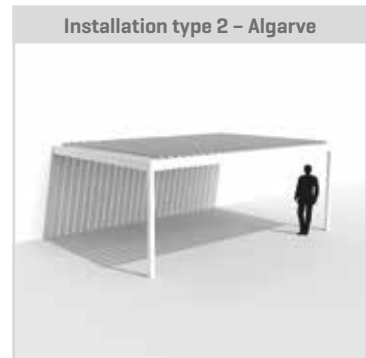
One column standard

For **installation type 3**, the frame is integrated into an existing opening, in which the frame is laterally installed in the opening. The Pivot frame profiles have a recess so that it can be mounted in the opening.

For **installation type 4**, the frame is installed on an existing construction. The installer will need to create the required mounting holes. There are no recesses in the Pivot frame profiles for this type of installation.



Free-standing



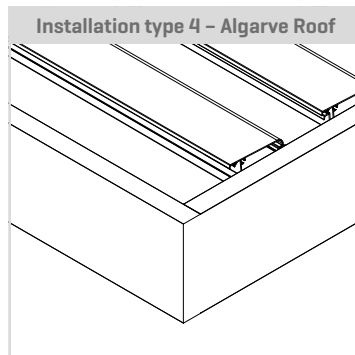
Façade mounting



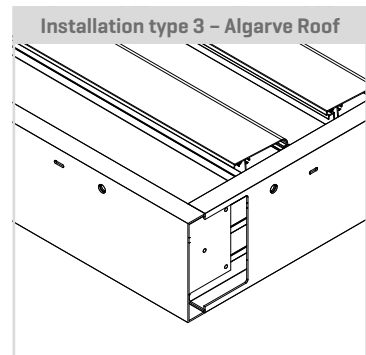
Integration



Surface mounting



Pivot frame profile without recess



Pivot frame profile with recess

# ALGARVE®

## DIMENSIONS

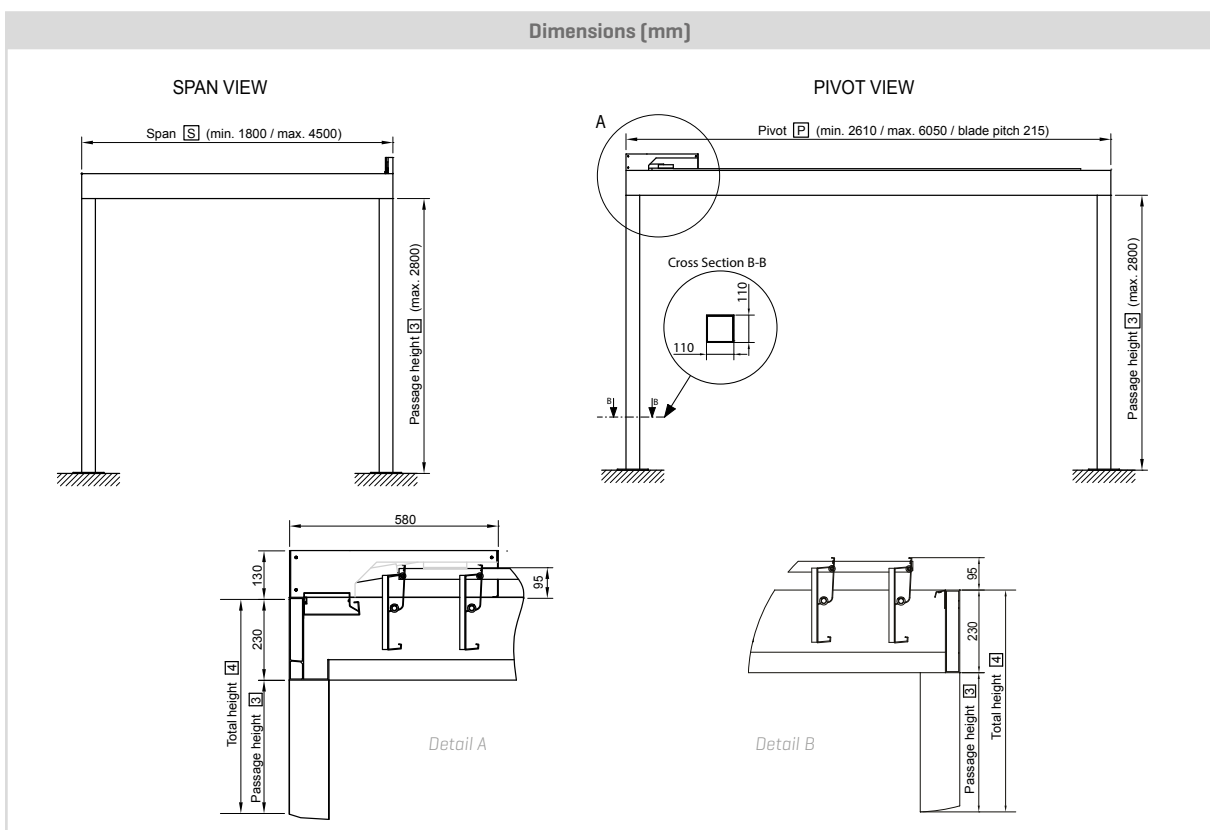
Algarve/Algarve Roof consists of an aluminium construction with a horizontal sun protection roof, fitted with a system of patented, rotating, extruded aluminium blades, which are supported by four, two, one or zero vertical columns depending on the installation type and the construction situation.

The following dimensions are important when ordering an Algarve:

- Span S = Max. 4,500 mm
- Pivot P = Max. 6,050 mm (per blade pitch: 215 mm)
- Passage height 3 = Max. 2,800 mm
- Total height 4 = Passage height + frame height [230 mm].

During the planning phase, the following points are taken into account:

- When rotating, the blades rise 95 mm above the total height [detail A & B].
- The aluminium housing motor comes to 130 mm above the total height [detail A].



## JOINABLE!

Algarve is joinable at two places; on the Pivot side to extend the Span, or the Span side to extend the Pivot. Exceptional areas of 6 x 6.05 m can be covered without middle columns interrupting the view.



Two-part joinable on the Pivot side to extend the Span

## FRAME

The roof construction has a strong frame that goes all the way around. The design is minimalist and even. The frame does not have an incline. It is constructed of four extruded aluminium frame profiles. There are two types of frame profiles: the Span frame profile and Pivot frame profile.

**Span:** These frame profiles are located on the Span side of the patio cover and are even with the blades. The Span frame profile can be fitted with a gutter depending on the installation type and construction situation.

**Pivot:** These frame profiles are located on the Pivot side of the patio cover and are perpendicular to the blades. The frame profile is fitted with bearings in which the blades' axles turn. The Pivot frame profile is always fitted with a gutter, including diffuser (to minimise splashing water).

## BLADE

The bottom of the rotating blade is completely flat so that the bladed roof has a lovely, smooth surface underneath when closed. The top surface has precisely aligned edges and is fitted with a gutter for water drainage. An extra lip on the gutter ensures that the water does not spill over onto the blades when the blade rotates after it rains. The sides of the blade have an aluminium nose to prevent water from running back.

## FINISHING PROFILE

A finishing profile with cover is mounted on the motor side of the Algarve against the Span frame profile. The profile ensures a proper connection with the blade. The control box and transformer can be concealed inside the profile.

## COLUMN

Depending on the installation situation, the frame is supported in the corners by vertical columns. The column consists of a single, square aluminium profile with basic dimensions 110 x 110 mm. The column forms the foundation for the water drainage and the fixation of the mounting bases. An aluminium bracket is mounted at the top of the column for securing it to the frame. Visually, the column is beneath the frame.

## MOUNTING BASE

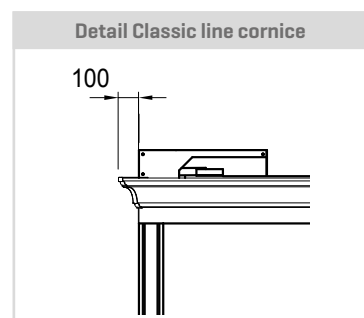
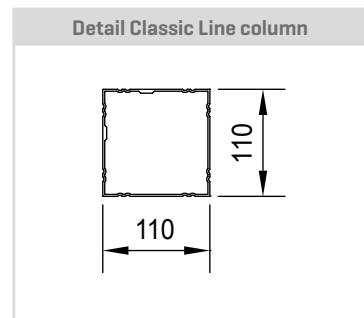
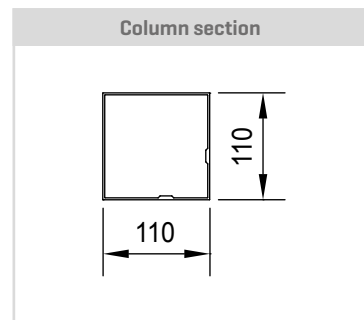
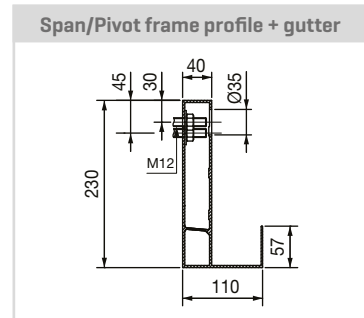
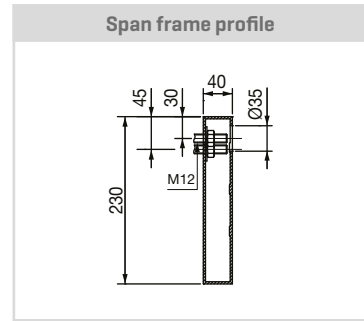
Algarve is fixed to the ground using a visible or invisible mounting base. This is achieved with a six-mm-thick base plate that is secured by four anchors. These mounting anchors are not supplied with the product and must be provided by the client, as the type of anchor to use is dependent upon the ground. A reinforced mounting base provides extra sturdiness under very high wind loads.

## ALGARVE CLASSIC LINE CORNICE

The classic finish, using decorative trim and lines in the columns, makes the Algarve 'Classic Line' a durable, maintenance-friendly solution with a beautiful, classic appearance. This patio cover can be mounted to the wall or used as a stand-alone element, making it the ideal solution for a rustic or classic architectural style.

## FIXATION

All fixation elements (e.g. screws) are made of stainless steel and are practically invisible.



# LAGUNE®

Patio cover with innovative, transparent fabric in the roof structure



This patio cover consists of an aluminium structure with integrated Fixscreen technology. The sun protection is completely integrated into the structure, creating an aesthetic unit. Thanks to its modular structure, the entire unit is easy to expand upon, even at a later time.

The Fixscreen technology combined with optimum screen tension ensures that rainwater is drained via the guiding channels concealed within the structure. Even if the sun protection screen is not fully unrolled, the water that falls on it is drained away via this integrated water-drainage system.

A great deal of attention is also given to the quality of the finish. For example, the fixation components are practically invisible, all of the electrical cables can be concealed, and invisible floor mounting is also possible.

The Lagune's high-quality materials and design keep maintenance to a minimum, while simultaneously guaranteeing exceptional durability.

Lagune fits in with any architectural style thanks to its availability in any RAL colour and the various customisation options.



*Integrated water drainage*



*Integrated water drainage*



*Completely retractable*



*Completely retractable*



*Crystal screen*

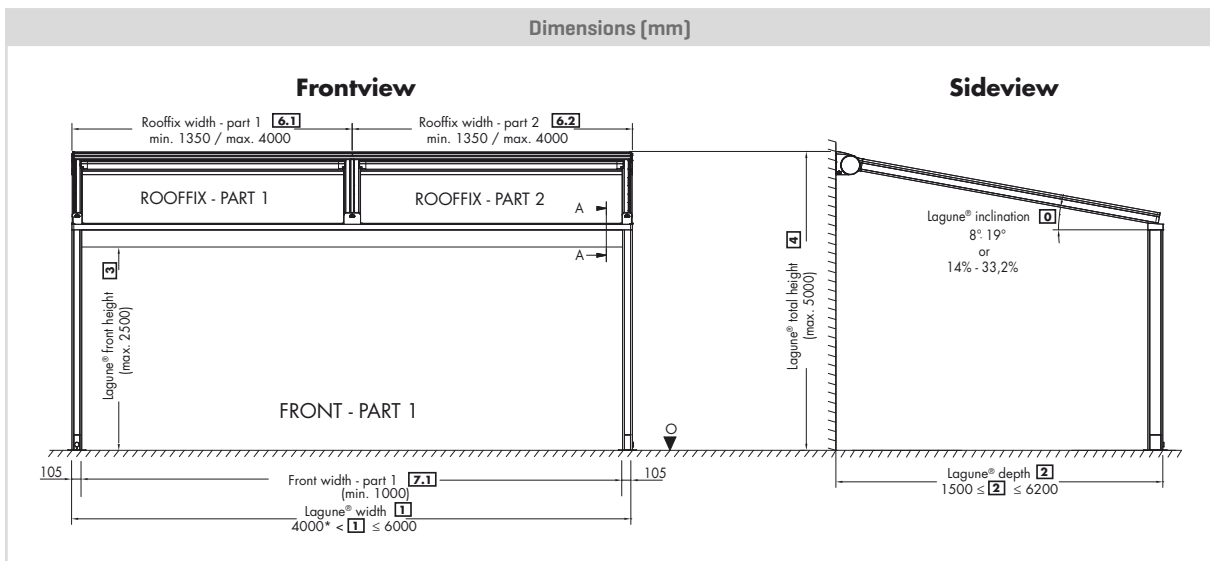
# LAGUNE®

## DIMENSIONS

A variety of configurations are available when choosing a Lagune.

### Lagune® Basic

First, there is the Lagune Basis, which consists of a Lagune support structure with a Rooffix. The Rooffix is a roof construction that can be closed using an innovative, transparent sun-protection fabric. The sun-protection fabric roof is watertight while still allowing light to get through. The roof can be opened completely. The Rooffix is supported in the front by vertical columns.



The following dimensions are important for the Lagune:

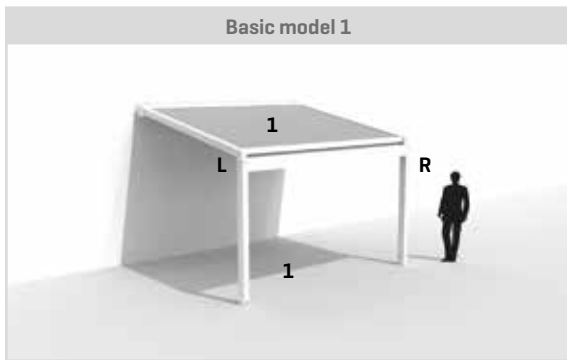
Width	[1] = Max. 12,000 mm
Depth	[2] = Max. 6,200 mm
Passage height	[3] = Max. 2,500 mm
Total height	[4] = Max. 5,000 mm
Angle of inclination	[0] = Min. 8°



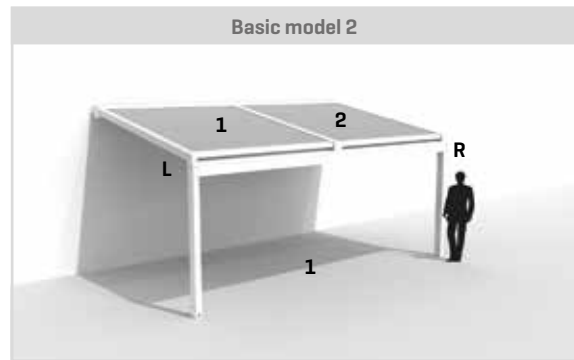


## TYPES

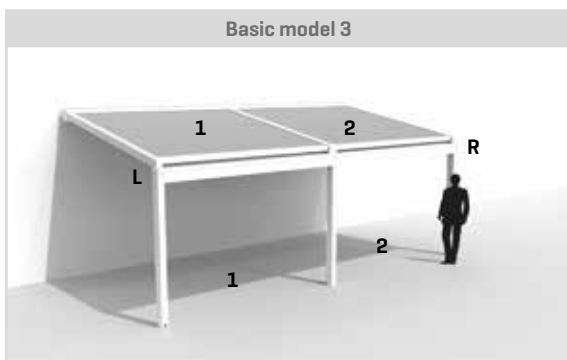
There are four basic models depending on the width of the Lagune:



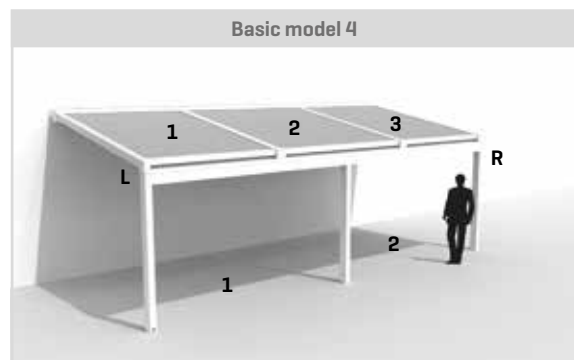
$1,500 \text{ mm} \leq W \text{ [1]} \leq 4,000 \text{ mm}$



$4,000 \text{ mm} \leq W \text{ [1]} \leq 6,000 \text{ mm}$



$6,000 \text{ mm} \leq W \text{ [1]} \leq 8,000 \text{ mm}$



$8,000 \text{ mm} \leq W \text{ [1]} \leq 12,000 \text{ mm}$

The Lagune patio cover is always installed against a supporting construction. It is also possible to install the Lagune patio cover against a supporting construction and a side wall. The side wall can be on the left, right, or along both sides of the Lagune.



*Against a supporting construction (standard)*



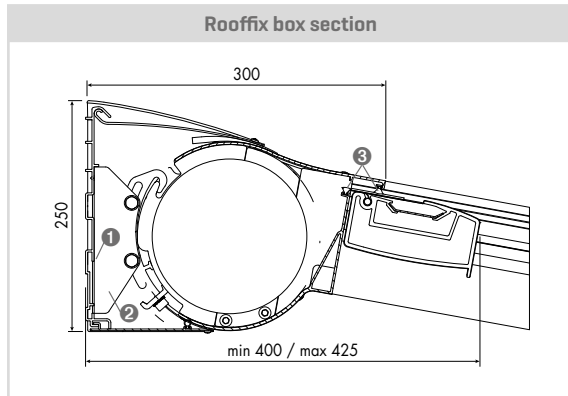
*Against a supporting, left- and right-side construction*



*Against a supporting construction and left-side construction*



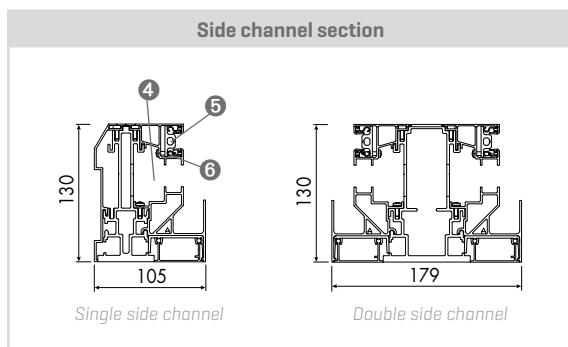
*Against a supporting construction and right-side construction*



## ROOFFIX® BOX

The Rooffix box is 300 mm deep and 250 mm high. This head box profile is made of extruded aluminium profiles. The back of the box is a wall profile ①. The entire length of this is placed against a supporting structure. The wall profile is fitted with suspension brackets ② for installing the Rooffix.

Brushes ③ are fitted along the entire length of the box, above and below where the fabric goes into the box. This reduces dirt, wind, and noise. The sides of the fabric box are each fitted with two aluminium endcaps that function as a finishing element.



## SIDE CHANNELS

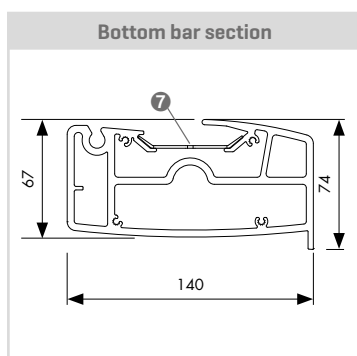
The single side channels [W105 mm x H130] are made of extruded aluminium. These have five parts and are self-bearing. The side channels are fitted with a concealed drainage gutter so that any rainwater landing on the fabric is drained away via the side channels and the bottom bar.

The trolleys' wheels for the bottom bar run through chambers ④ in the side channels. This allows for perfect guidance of the bottom bar when moving.

These side channels provide, together with the trolleys, mechanical security on the bottom bar.

A double side channel [W179 x H130 mm] is used with multiple Rooffix parts.

An internal H-PVC side channel ⑤ is integrated into every side channel. The side channel contains two S-shape neoprene gaskets ⑥ along the entire length of the internal H-PVC side channel to compensate for gusts of wind. The zipper, which is welded to the fabric, is threaded through this internal H-PVC side channel, thus 'holding' the fabric in place. When assembled correctly, there is sufficient tolerance between the fabric, aluminium side channels and the internal H-PVC side channels to guarantee ease of use.



## BOTTOM BAR

The bottom bar [W67 x H140 mm] is made of extruded aluminium. A left and right trolley is fixed laterally to this aluminium profile. The trolleys are fitted with wheels that guide the bottom bar in the side channels. A black, internal H-PVC leaf catcher ⑦ is installed in the bottom bar. This catches the dirt so that the drainage channels do not become clogged.

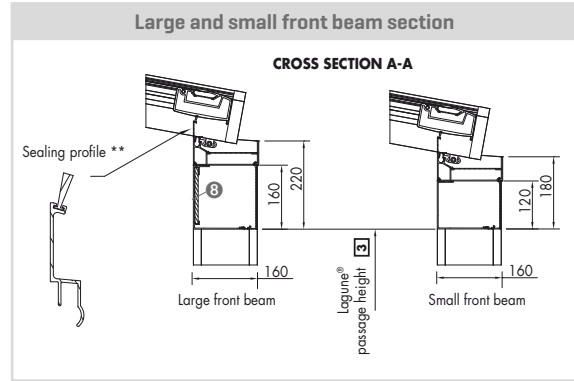
## FRONT BEAM

### Small front beam

A Lagune model of width 4,000 mm or less, or a Lagune model where all front parts of width 4,000 mm or less has a basic structure with a small front beam of height 180 mm.

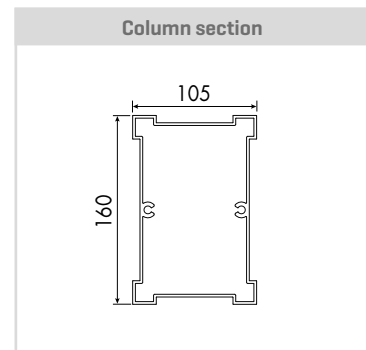
### Large front beam

A basic structure with a large front beam [height 220 mm] comes with the Lagune model with a width exceeding 4,000 mm or with the Lagune model in which one or more of the front parts have a width exceeding 4,000 mm. This front beam contains an additional iron rebar ③ along the back.



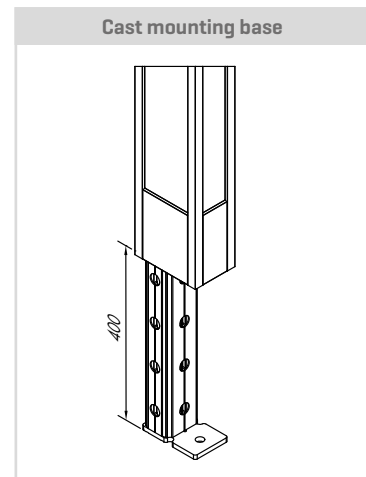
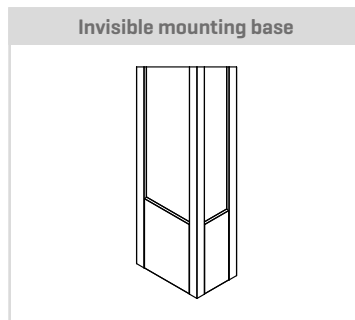
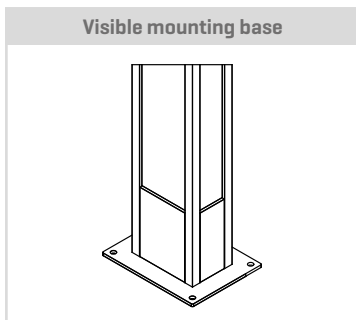
## COLUMNS

The column consists of an aluminium profile with basic dimensions W105 x D160 mm. The shape of the column allows the side channels of the integrated Fixscreen Front and Side to be integrated in an aesthetic manner. The column also forms the foundation for the integrated water drainage and the fixation of the mounting bases. The column fits seamlessly into the front beam and is also visible in the extension of the side channels.



## MOUNTING BASES

There are three types of mounting bases: visible, invisible, and cast mounting.



## FIXATION

All fixation elements [e.g. screws] are made of stainless steel and are practically invisible.

# LAPURE®

Minimalist patio cover with waterproof sun protection screen roof



The stylish, minimalist Lapure consists of a windproof and waterproof sun protection screen roof that rests on elegant, discreet aluminium columns. Lateral connections do not interrupt the view. Lapure is anchored to an existing wall.

When the roof is closed, Lapure provides protection from the sun, wind, and rain. When the roof is open, you can enjoy the sun without the minimalist structure disrupting the view.

There are two types of columns for the Lapure: columns and 'end columns' with water drainage [via side channels, even when half open]. You can also opt for 'shifted columns' [with roof overhang and water drainage via gutters, even when half open]. The latter has a roof overhang that juts out past the columns so as to provide the optimum amount of shade. This lets you enjoy enough shade, even when the sun is low in the sky, for instance [installation on west-facing façades].

A 'coupled' version of both types is also available so that two roofs can be installed perfectly next to one another so that they span across larger areas [just 1 column to be joined].

Thanks to the wide range of colours for the structure and the screen fabric, Lapure blends in to every environment and suits every architectural style.

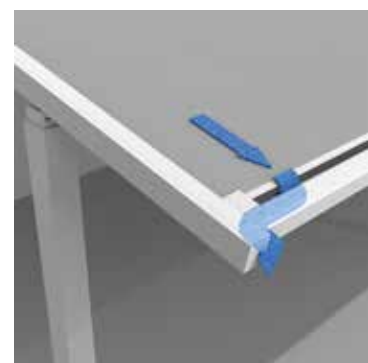
The front and side can be closed off with surfaced-mounted Fixscreens, optionally in combination with an easy passage.

## LAPURE® 'CLASSIC LINE'

The Lapure 'Classic Line' is the traditional design version of the Lapure, but with the same modern technology. Thanks to the profiled columns and specially designed decorative elements, such as the finials [globe and diamond shaped], the Lapure 'Classic Line' is more suited to a more classic interior style.



*Coupled version with end column*

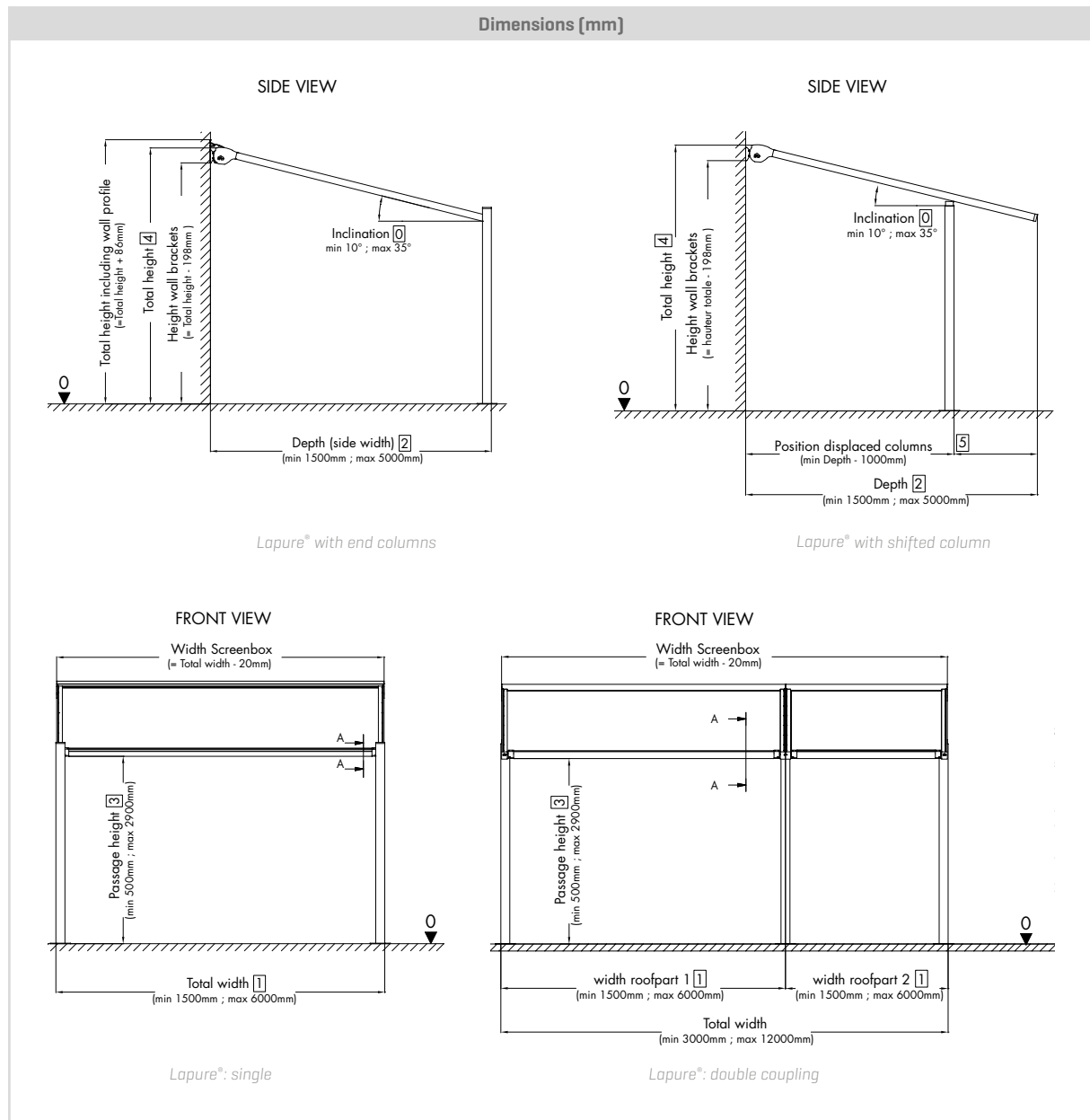


*With shifted columns*



*Lapure Classic Line*

## DIMENSIONS

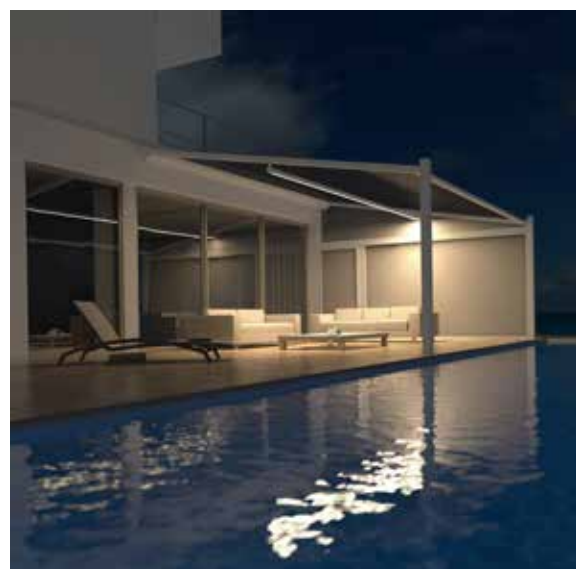
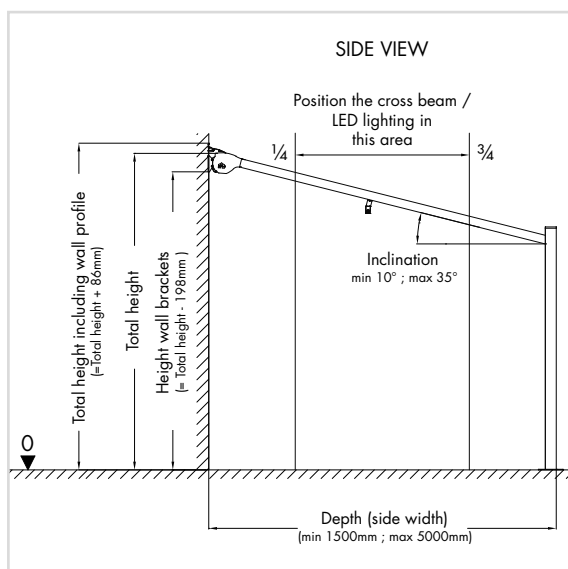
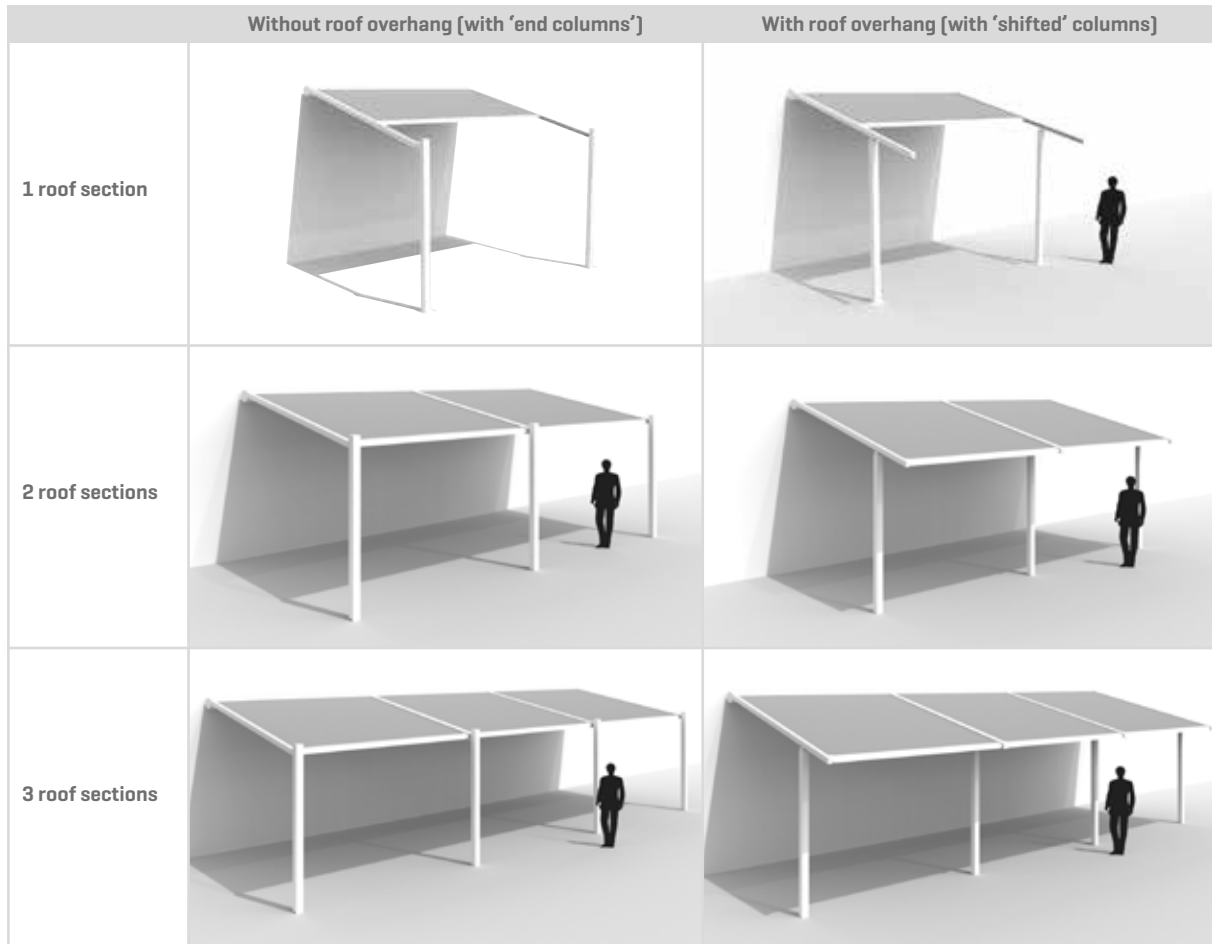


Width	[1] = Min. 1,500 – Max. 6,000 mm
Joinable up to	[1] = Max. 3 x 6,000 mm
Depth [projection]	[2] = Min. 1,500 – Max. 5,000 mm
Passage height	[3] = Min. 500 – Max. 2,900 mm
Total height	[4] = Dependent on the set angle of inclination
Angle of inclination	[0] = Min. 10° – Max. 35°
Roof overhang	[5] = Max. 1,000 mm



*It is possible to combine an end column and shifted column*

## TYPES



# LAPURE®

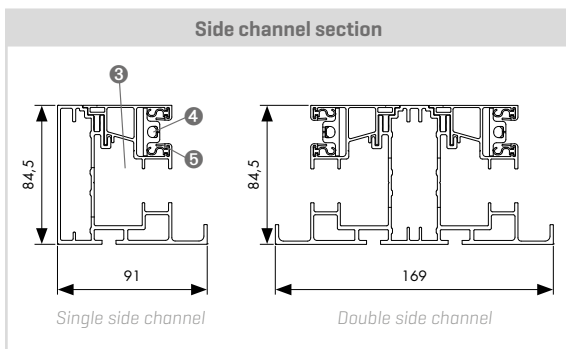
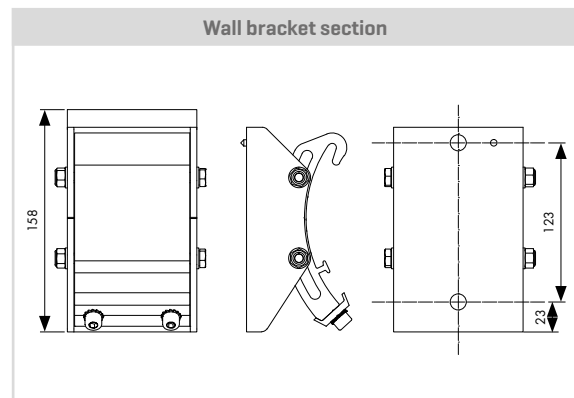
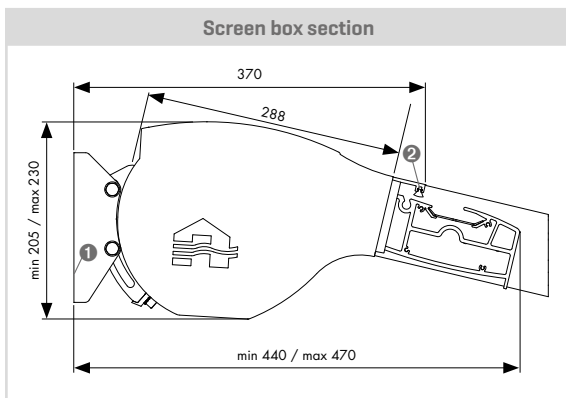
## SCREEN BOX

The Screen box is 288 mm deep and 205 mm high.

This box is made of extruded aluminium components and is secured using adjustable wall brackets ❶.

Brushes ❷ are fitted along the entire length of the box, above and below where the fabric goes into the box. This reduces dirt, wind, and noise.

The sides of the fabric box are each fitted with two aluminium endcaps that function as a finishing element.

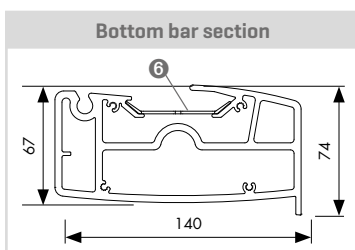


## SIDE CHANNELS

The self-bearing 'single' side channels (W91 x H84.5 mm) are made of self-bearing, extruded aluminium. The side channels are fitted with a concealed drainage gutter so that any rainwater landing on the fabric is drained away via the side channels and the bottom bar to the columns (for Lapure with end columns). The side channels for the Lapure with shifted columns serve as 'gutters' as the water is not drained off via the columns. A 'double' side channel is used (W169 x H84.5) with a coupled Lapure.

The trolleys' wheels for the bottom bar run through chambers ❹ in the side channels. This allows for perfect guidance of the bottom bar when moving. These side channels provide, together with the trolleys, mechanical security on the bottom bar.

An internal H-PVC side channel ❹ is integrated into every side channel. The side channel contains two S-shape neoprene gaskets ❺ along the entire length of the side channel to compensate for gusts of wind. The zipper, which is welded to the fabric, is threaded through these internal PVC side channels, thus 'holding' the fabric in place. When assembled correctly, there is enough tolerance between fabric and aluminium side channels to guarantee ease of use.



## BOTTOM BAR

The bottom bar (W67 x H140 mm) is made of extruded aluminium. A left and right trolley is fixed laterally to this aluminium profile. The trolleys are fitted with wheels that guide the bottom bar in the side channels. A black, plastic internal leaf catcher ❻ is installed in the bottom bar. This catches dirt so that the drainage channels do not become clogged.



## COLUMNS

The side channels are supported by aluminium vertical columns of 110 x 110 mm. The columns can either stand at the end of the side channels (with 'end columns') or underneath (with 'shifted' columns). The column forms the foundation for the water drainage (for the Lapure with end columns) and the fixation of the mounting bases.

## MOUNTING BASES

The Lapure is fixed to the ground using a visible mounting base. There are four types of mounting bases available that must be fixed in place using the provided anchors. The appropriate fixation materials must be used depending on the mounting surface. Any water drainage via the mounting bases always runs 'off the terrace'.

## CROSSBEAM AND LED LIGHTING

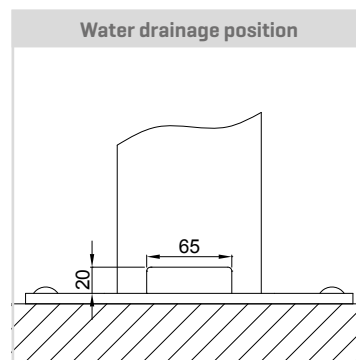
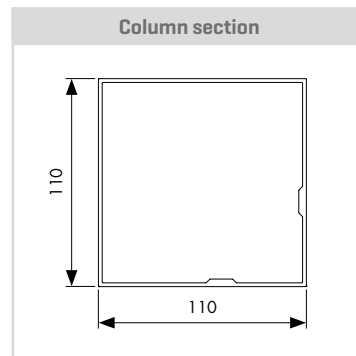
For widths greater than 4,000 mm, a crossbeam provides the structure with additional sturdiness. As desired, this profile (45 x 70 mm) is installed at a distance of  $\frac{1}{4}$  to  $\frac{3}{4}$  of the depth. This preserves the panoramic view. In addition, the crossbeam can be fitted with a dimmable LED lighting that is adjustable by 35°, so that the light beam under each inclination can be directed vertically.

## LAPURE 'CLASSIC LINE'

The classic finish of the end columns with spherical and diamond shaped finials and decorative lines in the columns makes the Lapure 'Classic Line' a durable, maintenance-friendly solution with a beautiful, classic appearance. This patio cover can be pleasantly combined with a rustic or classic style.

## FIXATION

All fixation elements (e.g. screws) are made of stainless steel and are practically invisible.



# TOSCANE®

Elegant, modular patio cover with sliding, folding roof



Toscane is a sleek patio cover that is placed against a wall and consists of an aluminium structure with slender columns and a folding roof made of watertight sun-protection fabric.

The fabric elegantly folds together once slid open. The fabric profiles provide a sturdy roof structure where small angles of inclination can be maintained without loss of the integrated water drainage.

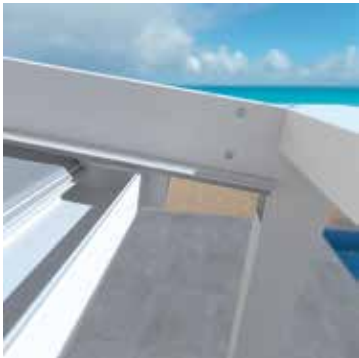
The patented folding roof technology provides extremely reliable and smooth control of the roof. The motor always keeps the fabric perfectly under tension in the closed position so that you can enjoy the attractively tensioned roof for the rest of your life.

The Toscane's large dimensions makes it ideally suited for use in the catering trade. The modular structure allows large spans to be created. You can have a roof fabric screen that is 13 metres long with a projection of 6.5 metres.

The unlimited choice of colour for the aluminium structure and the choice of two types of fabric available in different colours means that Toscane can be adapted to any style. The intelligently designed front beam is also a perfect integration of all of Renson's innovations: windproof Fixscreens, glass walls, Loggia sliding panels, or a combination of sliding glass walls and Fixscreens.



*Fabric elegantly folded together*

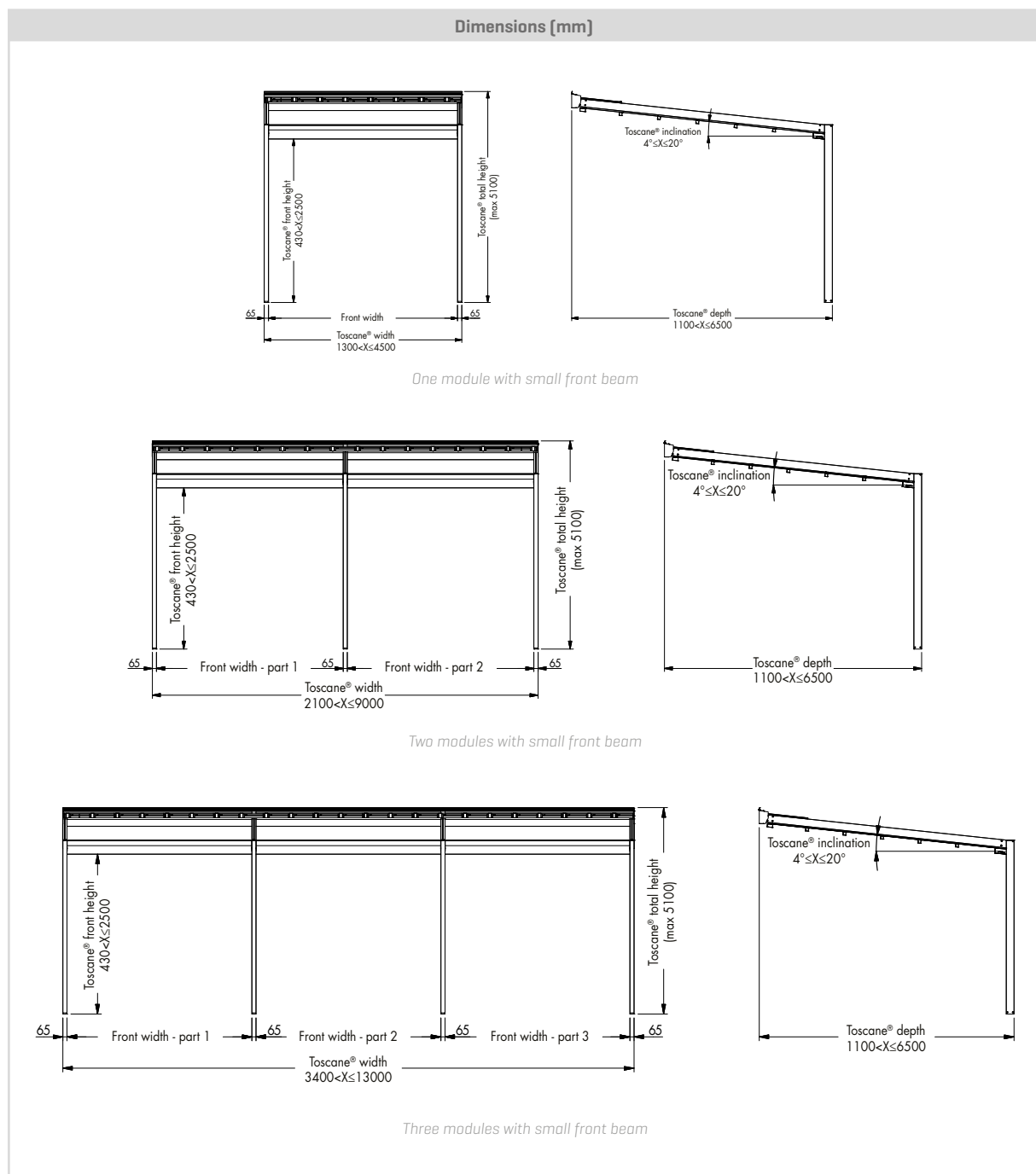


*Water drainage via mobile gutter and column*



## DIMENSIONS

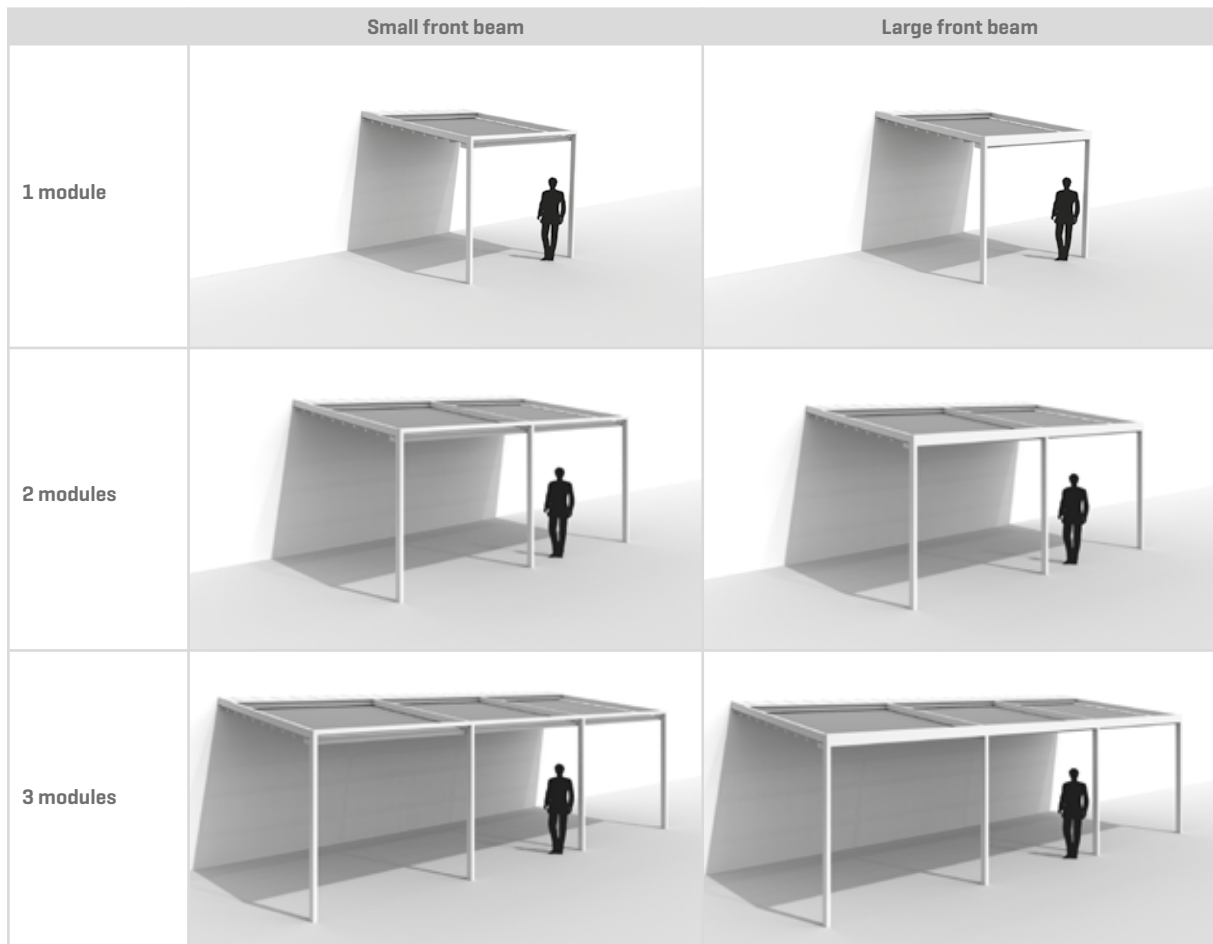
- The Toscane basic module has a width of minimally 1,300 mm and maximally 4,500 mm.
- Depending on the dimensions, the Toscane can be expanded to three modules with a maximum single roof Span of 13,000 mm.
- Any projection can be selected between 1,100 mm and 6,500 mm.
- The passage height is maximally 2,500 mm.
- Depending on the module width, the angle of inclination of the roof can vary from 4° up to 20°.

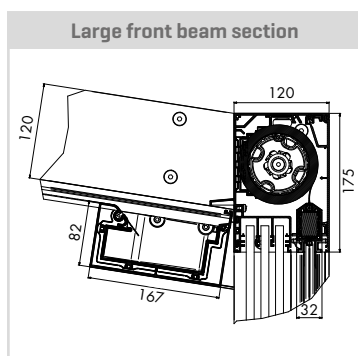
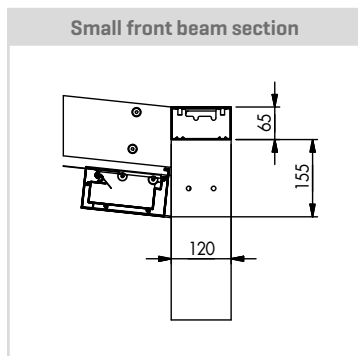
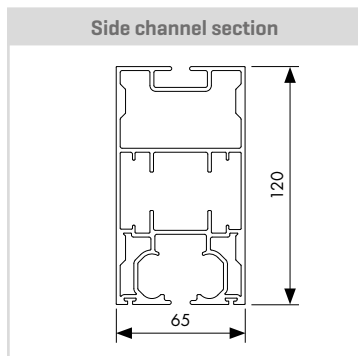
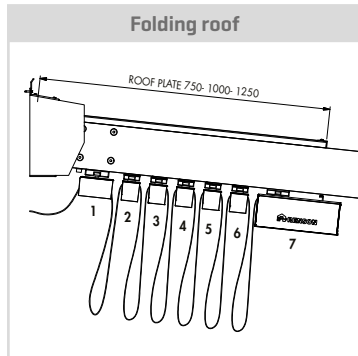




## TYPES

Depending on the Toscane width, there are three basic models that can have a single roof Span:





## FOLDING ROOF

The roof consists of horizontal, aluminium screen profiles in which a sun protection and water-resistant fabric is incorporated. These fabric profiles are placed maximally 600 mm apart. For example, three additional fabric profiles can be installed to reduce the amount of stacked-up folded fabric.

The fabric profiles are made of right-angled aluminium profiles (44 x 50 mm). The standard fabric profile may be replaced with a LED profile (max. two per module), which contain a LED strip (warm white or pure white).

There are two types of watertight and sun protection fabric:

- Transparent polyester textile fabric manufactured in accordance with the 'Rachel Trameur' weaving technique, with PVC coating and transparent, watertight membrane.
- Three-layer PVC fabric by black out, insulating intermediate layer and textured underside with the textile effect.

The sides on both sides are fitted with a drip edge to prevent rainwater on the roof draining off through the sides.

## MOBILE GUTTER

A mobile gutter is attached to the end of the screen that drains off the rain from the folding roof via troughs to the discharge column. The mobile gutter has a diffuser to prevent clogging by dirt and leaves.

## SIDE CHANNELS

The side channels (120 x 65 mm) are made of extruded aluminium. Wall brackets are used to attach these to the columns and at the back against the wall. The fabric profiles of the folding roof glide on the runners next to the opening underneath in the side channels, so that the folding roof can slide open and closed.

There is also a side channel between the two basic modules to support the middle of the continuous roof.

## FRONT BEAM

### Small front beam

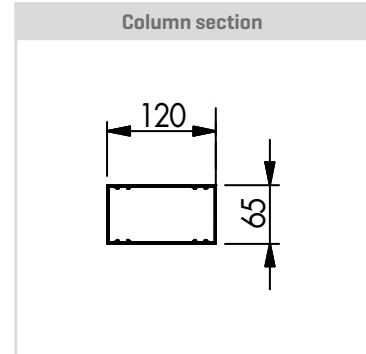
If Toscane is not fitted with an option on the front side, then it will be fitted with a small front beam. This is made of right-angled aluminium profiles (120 x 65 mm).

### Large front beam

If options are fitted in the front side or will be fitted later, a large front beam (120 x 175 mm) is provided that invisibly integrates the different side options.

## COLUMNS

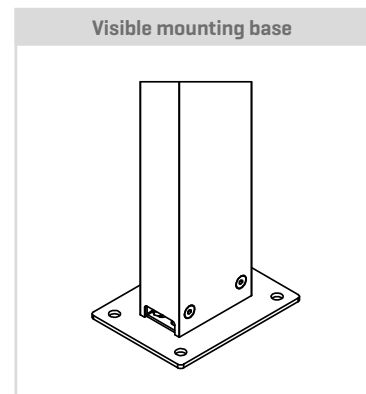
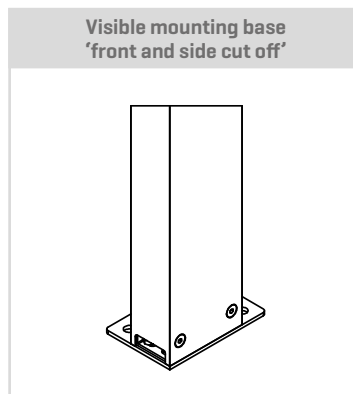
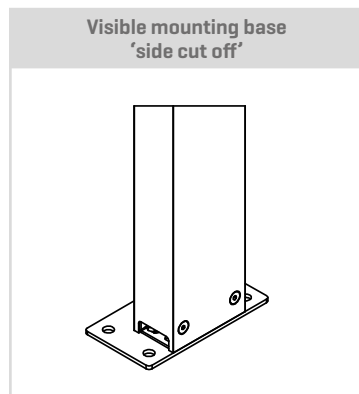
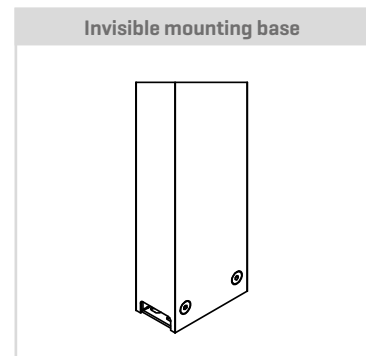
This column is made of a right-angled aluminium profile of 65 x 120 mm. It is used for both the outermost columns and the additional columns in between. The custom wall thickness makes it possible to secure the mounting base using countersunk screws. The mobile gutter nozzle fits in a 105 x 56.5 mm right-angled opening at the top of the column so that the water drains to the opening at the bottom of the column of 50 x 18 mm.



## MOUNTING BASES

There are two types of mounting bases:

- Visible mounting base: you have the option here of cutting one or more sides for placement against a side or back wall.
- Invisible mounting bases: these are concealed in the column.











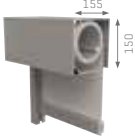
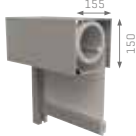


# CUSTOMISATION OPTIONS

Camargue, Skye, Toscane, and Lagune can all have a variety of elements added to the front and/or sides. By adding side elements, you create infinite possibilities for customisation. The front and/or sides of Algarve & Lapure can be fitted with vertical sun protection.

	CAMARGUE® / SKYE®	ALGARVE® / ALGARVE® ROOF	LAGUNE®	
<b>Triangle®</b>	Not applicable	Not applicable		
<b>Integrated Fixscreen®</b>		Not applicable		
<b>Loggia® sliding panel</b> <ul style="list-style-type: none"> <li>· Loggia® wood</li> <li>· Loggia® wood Privacy</li> <li>· Loggia® screen Canvas</li> <li>· Loggia®</li> <li>· Loggia® Privacy</li> <li>· Loggia® Stirata</li> <li>· Loggia® Linea</li> <li>· Loggia® Plano</li> <li>· Loggia® [Privacy] Wooddesign</li> </ul>		Not applicable		<b>SIDE</b>
<b>Loggia® easy passage</b> <ul style="list-style-type: none"> <li>· Loggia® screen Canvas</li> </ul>		Not applicable		
<b>Sliding glass walls</b>		Not applicable		
<b>Sliding glass walls + Integrated Fixscreen®</b>		Not applicable		
<b>Linus wall</b>			Not applicable	
<b>Fixscreen® 100<sup>EV0</sup> Slim F</b>	Not applicable		Not applicable	
<b>Fixscreen® 150<sup>EV0</sup> F</b>	Not applicable		Not applicable	
<b>Curtains</b>			Not applicable	



	LAPURE®	TOSCANE® FRONT	TOSCANE® SIDE
		Not applicable	
	Not applicable		Not applicable
	Not applicable		Not applicable
		Not applicable	Not applicable
	Not applicable		
	Not applicable		Not applicable
	Not applicable	Not applicable	Not applicable
		Not applicable	
		Not applicable	
	Not applicable	Not applicable	Not applicable

# CUSTOMISATION OPTIONS







# ROOF ELEMENTS

## RENONSSCREEN® WATERPROOF

Lapure, Lagune, and Toscane roofs are fitted with an innovative, watertight, transparent sun protection fabric. One side of this polyester fabric is coated with a UV-resistant, watertight coating. This screen is available in various colours.

This innovative screen type is made of a fine mesh fabric, woven according to the special 'Rachel Trameur' weaving technique, with the base in an ultra-durable polyester (Fire classification M1). A transparent PVC coating is applied to the fabric, making it transparent and watertight!

The vertical edges are fitted with a zip and the fabric eyelets at the top and bottom are fixed with high-frequency welding.

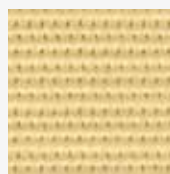
This fabric is used with the Lagune Rooffix, Lapure, and Toscane.



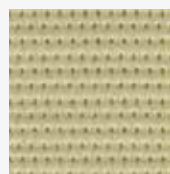
SWC M005



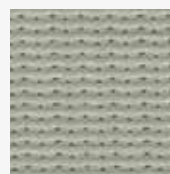
SWC M006



SWC M711



SWC M712



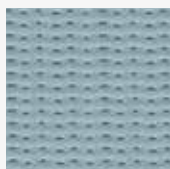
SWC M939



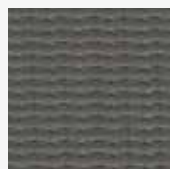
SWC M654



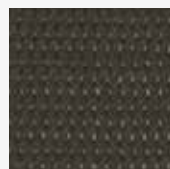
SWC M652



SWC M721



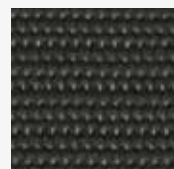
SWC M715



SWC X393



SWC X392



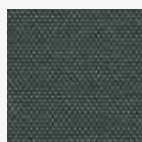
SWC X391

## EXPANSION

The roof of the Lagune and the Lapure can also be fitted with an Expansion screen. This is an acrylic fabric infused with a dye such that the transparent membrane has a real textile appearance.

The smooth surface of the Expansion makes it waterproof, watertight, sun resistant, wind resistant, and transparent, just like the Renson-screen Waterproof. Dirt or stains cannot penetrate the surface.

A suitable Expansion screen matches any Lagune or Lapure because of the neutral colour palette.



EXP U343 300  
Ink



EXP U341 300  
Slate



EXP U333 300  
Silver



EXP U342 300  
Cornflower



EXP U334 300  
Putty



EXP U335 300  
Clay



EXP U336 300  
Rope



EXP U337 300  
Hemp



# SIDE ELEMENTS

## FIXSCREEN®

### Ideal for:

- Privacy
- Shade when the sun is low in the sky
- Protection from wind, rain and insects

### Fixscreen® technology

Thanks to an ingenious zip system, the screen is windproof in every position and is insect-proof when closed. The sun protection fabric is fitted with a special trim with a symmetrical zip. This ensures that the entire structure is held firmly by the two side channels.

### Connect&Go® technology

The integrated Fixscreen is fitted with our patented Connect&Go technology. This new development provides an enormous advantage for installation, as well as for removing the fabric roller tube when replacing a screen or motor.



## INTEGRATED FIXSCREEN® – LAGUNE®, CAMARGUE®, TOSCANE®, AND SKYE®

By integrating the vertical sun protection, the integrated Fixscreen, with or without Crystal Windows to keep a view of the outside, you can create an extra outdoor room where the users are protected from sun, rain, and wind. These screens are available in 50 colours, which allows you to customise Lagune, Camargue, Toscane, and Skye to create your desired ambience.



*Camargue®, fitted with integrated Fixscreens® on the Span and Pivot side*



*Lagune®, fitted with multiple integrated Fixscreens® in the front*



*Lagune®, fitted with multiple integrated Fixscreens® in the side*



*Toscane®, fitted with multiple integrated Fixscreens® in the front*

### Camargue® and Skye®: the bottom bar disappears into the box

The frame profiles of Camargue and Skye are developed so that the bottom bar is aesthetically concealed in the box when the screen is raised.

Perfect integration, even afterwards!



*Bottom bar disappears into the Camargue® box*





## FIXSCREEN® 100<sup>EVO</sup> SLIM F / FIXSCREEN® 150<sup>EVO</sup> F – ALGARVE®, LAPURE®, & TOSCANE®

To close off the sides of an Algarve, Lapure, or Toscane, combine it with the Fixscreen 100<sup>EVO</sup> Slim F and the Fixscreen 150<sup>EVO</sup> F. This allows the box for the sun protection screen to be mounted underneath the frame profiles so that this connects perfectly with the basic construction.

Technical specifications Fixscreen® EVO		
[mm]	Fixscreen® 100 <sup>EVO</sup> Slim (F)	Fixscreen® 150 <sup>EVO</sup> (F)
Box (W x H)	110 x 150	155 x 150
<b>Dimensions</b>		
Maximum (W x H) screen	4,500 x 2,800	6,000 x 2,800
Bottom bar (W x D)	30 x 53 disappears into the box	
Closed side channels [C] (W x D)	35 x 48 [Algarve & Toscane]	
Deep side channels [D] (W x D)	35 x 110 [Algarve & Lapure]	35 x 150 [Algarve]

## POSITION

Based on the reason for placement, you decide on which side of the patio cover it is best to install a screen.

For all-around privacy, wind and rain protection on all sides.

To obtain enough shade on a south-facing terrace, it's best to have at least one screen on the south and west side of the patio cover.



# FIXSCREEN®

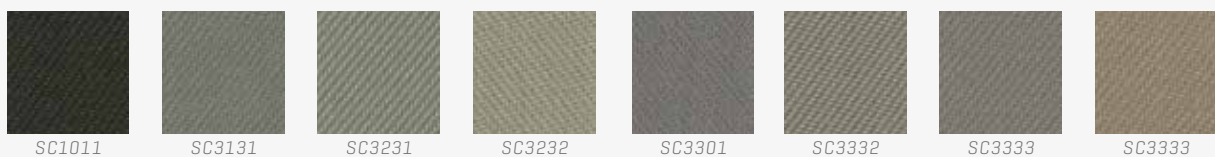
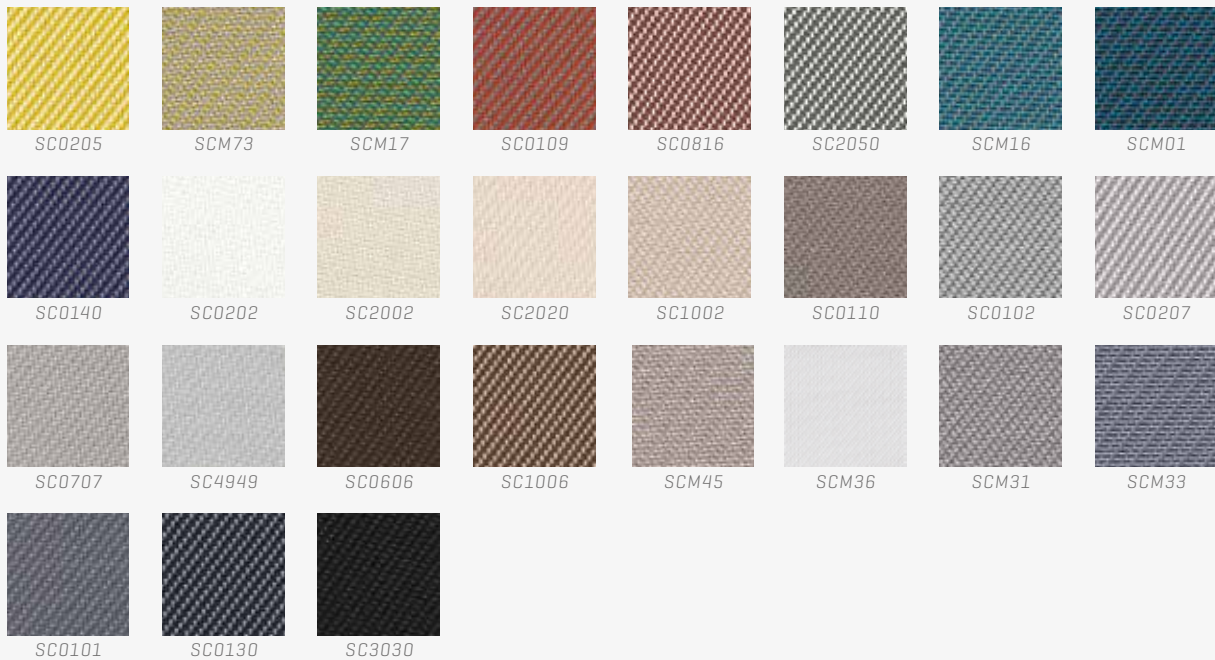
## GLASS FIBRE FABRIC SERGÉ

The best choice in transparent sun protection fabric for windproof vertical sun protection is glass fibre fabric. Glass fibre fabrics rate the highest in terms of tension and rigidity, and are also highly resistant to moisture and heat, all while maintaining the view. We offer a wide range of colours so that you can find the fabric that suits you perfectly. A glass fibre fabric offers protection against wind, rain, and insects [note: a glass fibre fabric is 100% waterproof and windproof].

The 'Architects' Collection' is a range of colours that are very popular according to current design and architecture trends.

This fabric screen is woven from fibreglass threads with a PVC coating. A glass fibre fabric is rigid, impervious to moisture and heat, rot-proof, and colour-fast. The sides of the finished fabric are reinforced with a transparent band that is 9 mm wide and 0.3 mm thick. The upper and lower side have a welded seam through which a screen cord has been threaded. For heights greater than 2,700 mm, the fabric also has a horizontal heat-sealed seam. With a selection of seven types of fabrics: there is a horizontal heat-sealed seam for heights greater than 3,200 mm.

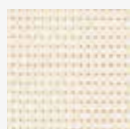
This fabric can be used in the integrated Fixscreen, the Loggiascreen Canvas sliding door and sliding wall, and the Lagune Triangle. The Loggiascreen Canvas can also be fitted with a Staccato screen, an elegant fabric with two-toned threads in the warp and weft that gives it a natural appearance.



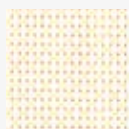
## NATTÉ



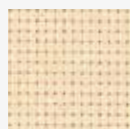
N-0202



N-2002



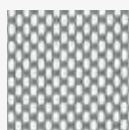
N-0220



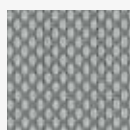
N-2020



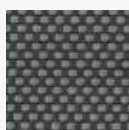
N-0207



N-0201



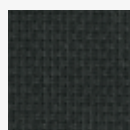
N-0701



N-3001

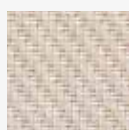


N-3006



N-3030

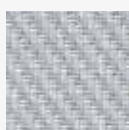
## MÉTAL



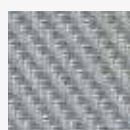
MT-2020



MT-0202

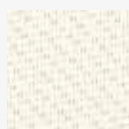


MT-0707

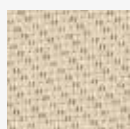


MT-0101

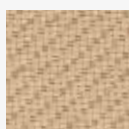
## PRIVACY



P-0202



P-0808



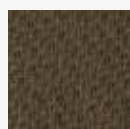
P-0303



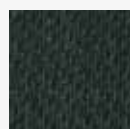
P-0707



P-0101



P-1111



P-1010

# FIXSCREEN®



Lagune®

## TRIANGLE – LAGUNE®, LAPURE®, & TOSCANE®

A Lagune, Lapure, and Toscane Side must be equipped with a Triangle to allow the integration of extension options. In this case, the patio cover is fitted with a vertical wall profile and an additional box. The triangle created between the box and side channel is filled with a glass fibre fabric of your own choosing.



Lagune®



Toscane®



Toscane®



Lagune®



Lapure®



## CRYSTAL WINDOWS

Transparent Crystal Windows can be fitted in the glass fibre fabric of the integrated Fixscreen to maintain optimal contact with the outdoors.

This transparent type of fabric is made of PVC (Fire Classification M2). The Crystal fabric is welded onto a glass fibre fabric using high-frequency welding.

This fabric can be used in the integrated Fixscreen, Fixscreen 100<sup>EVO</sup> Slim F, and the Fixscreen 150<sup>EVO</sup> F.

There are various options where you can choose between three types of windows:

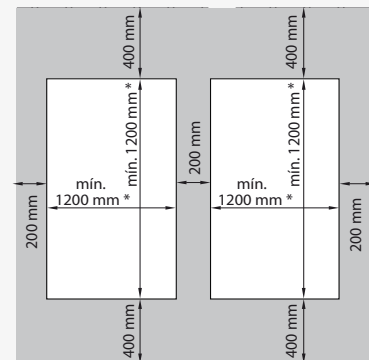
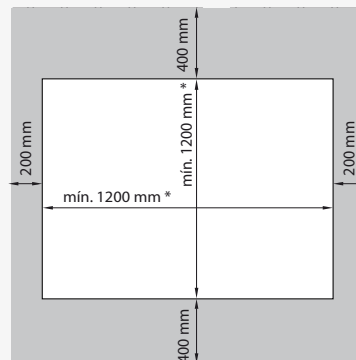
- One window of 1,200 mm by min. 1,200 mm
- 2 windows\* next to each other
- 2 windows\* one above the other

A total of two Crystal Windows can be integrated per screen.

There must be a minimum distance of 200 mm between the sides of the fabric and between the Crystal Windows themselves.

There must be a distance of 400 mm between the Crystal Windows and the bottom and the top edges of the fabric.

*\* Either the height or the width must be 1,200 mm. The other dimensions must be at least 1,200 mm.*



# OUTDOOR CURTAINS

## Algarve<sup>®</sup>, Camargue<sup>®</sup> & Skye<sup>®</sup>

**Camargue, Algarve, and Skye** can be fitted with outdoor curtains. This allows you to create a fairy-tale atmosphere under your patio cover.

These polyester curtains for outdoor use are water-resistant, mould-resistant, and repel dirt. Moreover, these are weather-resistant and colour-fast, even after washing. The curtains are completely wrinkle-free.

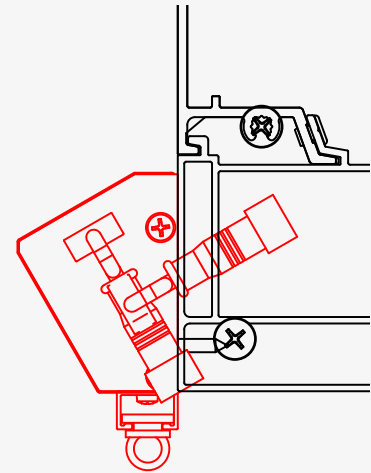
The curtains can be completely made to order.

Moreover, they can be combined with sliding glass walls and integrated Fixscreens in Skye and Camargue.

The outside curtains are always combined with UpDown LED lighting. This gives the patio cover a romantic feel at twilight.

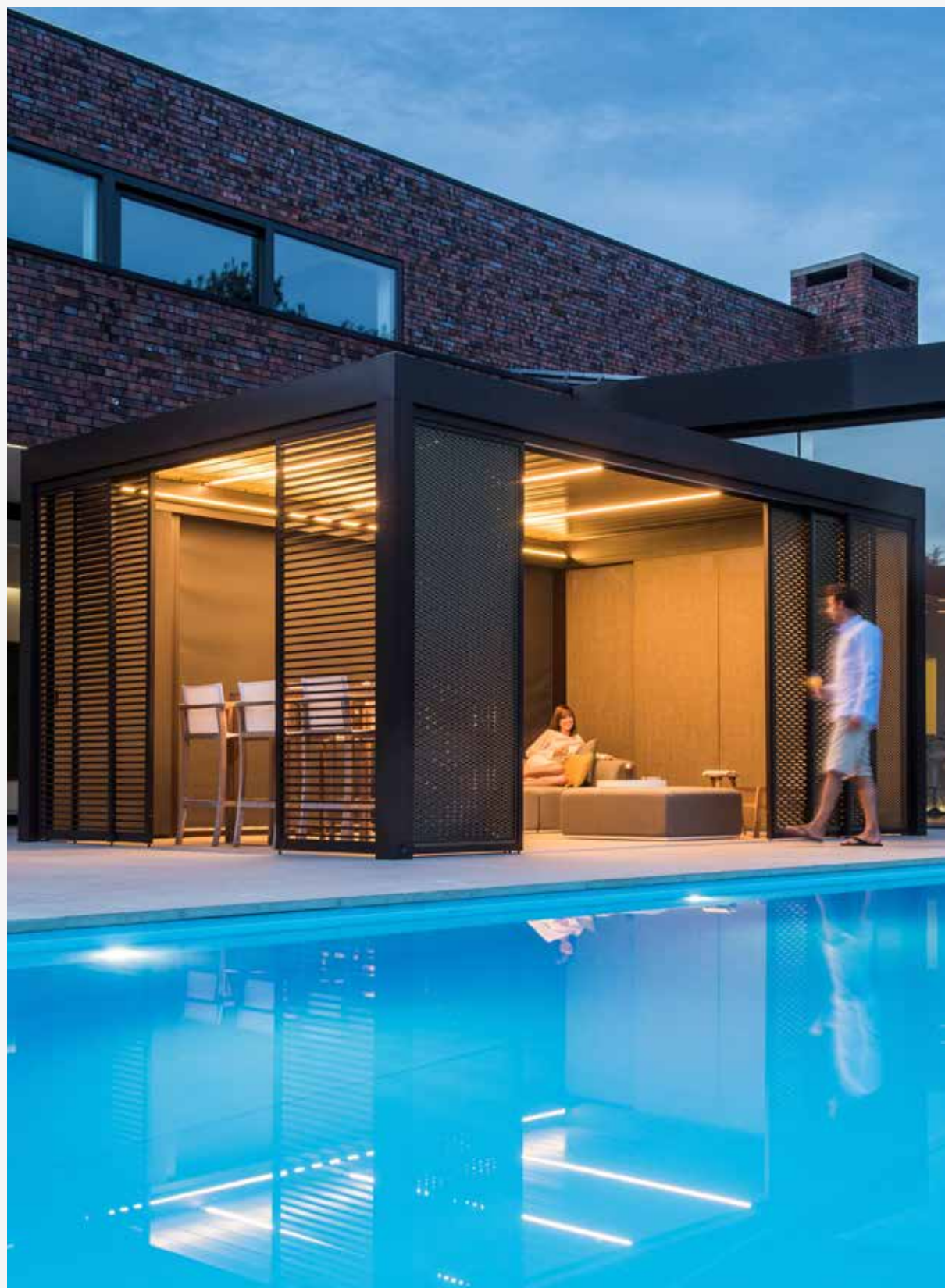
### The outside curtains are available in four colours:

- Black
- White
- Soft warm grey
- Light grey



# LOGGIA®

Lagune®, Camargue®, Toscane® & Skye®





## LOGGIA® SLIDING PANELS

Another look and feel can be achieved by integrating the Loggiascreen Canvas, Loggiawood, and Loggialu sliding panels.

A Loggiascreen Canvas can be fitted with the same screen fabric as the vertical screens. You can achieve a warm & cosy ambiance using the Loggiawood sliding panels fitted with Western Red Cedar blades. Choose the aluminium blades for an austere design. These are the perfect solution for creating a sliding wall or sliding door.



### PRIVACY

The Privacy version of the Loggiawood and Loggialu sliding panels have blades that can be rotated manually to be fully open or closed.

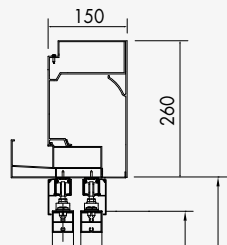


Blades can be rotated manually from the closed to fully open position

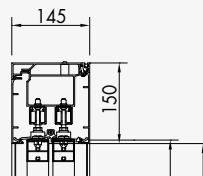
### FLEXGUIDE

#### UPPER-GUIDE

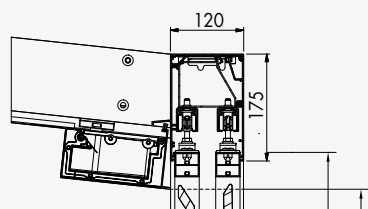
Camargue®/Skye®



Lagune® Side

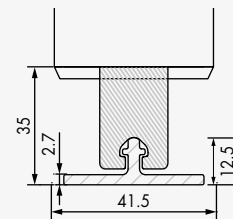


Toscane® Front

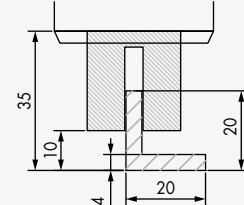


#### UNDER-GUIDE

Standard: Flexguide Plus



Option: L-profile





*Camargue®, fitted with Loggiawood sliding panels in the Span side*



*Lagune®, fitted with Loggiawood sliding panels in the side*



*Toscane®, fitted with Loggiawood sliding panels in the front*

## LOGGIA® SLIDING PANELS

### Types:

- Loggialu: aluminium blades
- Loggialu Plano: aluminium right-angled, horizontal blades
- Loggiawood: wooden blades (Western Red Cedar)
- Loggialu Privacy: rotatable aluminium blades
- Loggiawood Privacy: rotatable wooden blades (Western Red Cedar)
- Loggiascreen Canvas: fabric screen (fibreglass)
- Loggialu Stirata: filled with an expanded aluminium plate
- Loggiawood Linea: vertical, right-angled, wooden blades (Western Red Cedar)
- Loggialu (Privacy) Wooddesign: aluminium blades with a wooden design in white oak, natural oak, or walnut

### Integration:

- Camargue & Skye: available in Span and/or Pivot
- Lagune: available in Span
- Toscane: available in front



## LOGGIA® EASY PASSAGE / SLIDING DOOR

Ideal for a completely enclosed patio cover (e.g. using a Fixscreen) and when you want easy access through the patio cover without having to open the Fixscreen (so anyone sitting under the patio cover remains comfortable).

### Types:

- Loggiascreen Canvas: fabric screen (fibreglass)

### Integration:

- Camargue & Skye: available in Span and/or Pivot
- Lapure & Lagune: available in Side and/or Front
- Width: min. 800 mm – max. 1,200 mm



*Camargue®, fitted with an integrated Fixscreen® and sliding door using Loggiascreen® Canvas in the Span side*



*Lagune®, fitted with an integrated Fixscreen® and sliding door using Loggiascreen® Canvas in the side*



*Lagune®, fitted with an integrated Fixscreen® and sliding door using Loggiascreen® Canvas in the front*



*Lapure®, fitted with an integrated Fixscreen® and sliding door using Loggiascreen® Canvas in the side*

# SLIDING GLASS WALLS



In addition to the beautifully integrated vertical, windproof Fixscreen sun protection, you can also opt to integrate sliding glass walls. With this design, special attention was focused on easy installation and perfect integration, while still allowing it to be combined with an integrated Fixscreen. This allows the main advantage of sun protection to be maintained in addition to other important benefits, such as being lockable to prevent theft and protection from the wind and weather. The fully transparent sliding walls enhance the elegance of Camargue, Toscane, Skye, and Lagune.

**Integration:**

- Camargue & Skye: available in Span and/or Pivot
- Lagune & Toscane: available in Side and/or Front

Available in combination with an integrated Fixscreen.  
This combination is not possible with Toscane Side.



Distribution of sliding glass walls			
1,500 ≤ X ≤ 2,500 Width X	2,500 < X ≤ 3,750 Width X	3,750 < X ≤ 5,250 Width X	5,250 < X ≤ 5,940 Width X
3 panels	4 panels	6 panels	8 panels
3 rails	4 rails	3 rails	4 rails
Opens to the left OR opens to the right	Opens to the left OR opens to the right	Opens to the left & opens to the right	Opens to the left & opens to the right
Incl. 1 handle	Incl. 1 handle	Incl. 2 handles	Incl. 2 handles



Camargue®, fitted with sliding glass walls and integrated Fixscreens on the Span and Pivot side



Lagune®, fitted with sliding glass walls in the side and front



Lagune®, fitted with sliding glass walls and integrated Fixscreen® in the side and front












Toscane®, fitted with sliding glass walls and integrated Fixscreen® in the front

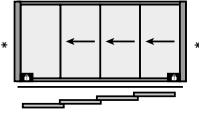
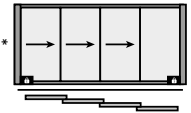
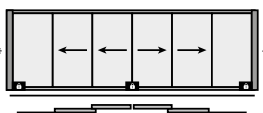
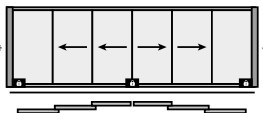


Skye®, fitted with sliding glass walls and integrated Fixscreen® in the side and front

# SLIDING GLASS WALLS



Options for sliding glass walls		
Stainless steel cup handle (can be used on both sides)		
Stainless steel knob (inside)	<div style="display: flex; justify-content: space-around;"> <span>Inside</span> <span>Outside</span> </div> 	
Acrylic glass handle (inside or outside)		
Door bottom sweep 10 mm shatterproof glass (one piece per glass panel)		
Secured in the middle	Type A <b>Catch:</b> Catch in the middle of the glass wall (standard on the inside)	
	Type B <b>Lock and catch:</b> Secured glass panels in the middle of the glass wall using a lock and catch (standard on the inside)	
Secured on the side	Type C <b>Lock and catch:</b> Secured on the side of the outermost glass panel using a lock and catch in a vertical wall profile (standard on the inside)	
	Type D <b>Emergency catch with hex key:</b> Secured on the side of the outermost fixed glass panel using a hex key (emergency catch) in a vertical wall profile (standard on the inside)	
	Type E <b>Lock:</b> Secured on the side of the outermost moving glass panel using a catch in a vertical wall profile (standard on the inside)	

Combinations of catches (looking from the outside in)	
<b>COMBINATION 1:</b> e.g. opens to the left, catch	
	Left: Type D Right: Type E
<b>COMBINATION 2:</b> e.g. Opens to the right, lock and catch	
	Left: Type C Right: Type D
<b>COMBINATION 3:</b> e.g. Opens in the middle, catch	
	Left: Type D Middle: Type A Right: Type D
<b>COMBINATION 4:</b> e.g. opens in the middle, lock and catch	
	Left: Type D Middle: Type B Right: Type D
* = additional vertical wall profile	

# LINIUS WALL

**Algarve<sup>®</sup>, Camargue<sup>®</sup> & Skye<sup>®</sup>**

The Linius bladed wall in Algarve, Camargue, or Skye lets you create a physical barrier and decorative finish.

The Linius fixed wall is available as a single or a double-sided, clad wall across the entire passage height, or can be finished at a customised height with a top profile to create a railing. Ideal as a border for terraces or balconies in hotels, restaurants and for the catering sector.

The support structure ensures that the connection between the finishing blades is not visible, which creates an unbroken line along the entire width.

Moreover, the double-sided wall provides the option of using sound insulation. This allows you to enjoy the peace and quiet of nature around the patio cover.





### Support structure

- Vertical support profile **[1A]** Algarve: 65 x 30 mm) **[1B]** Camargue & Skye: 105 x 30 mm)
- Mounted on upper and lower adjustable mounting brackets **[2]**
- Perfect horizontal positioning of the blades even with sloping or uneven surfaces
- Fitted with blade holders L.033.11 **[3]** on one or two sides so that the Linius blades **[4]** are not visible

### Finish

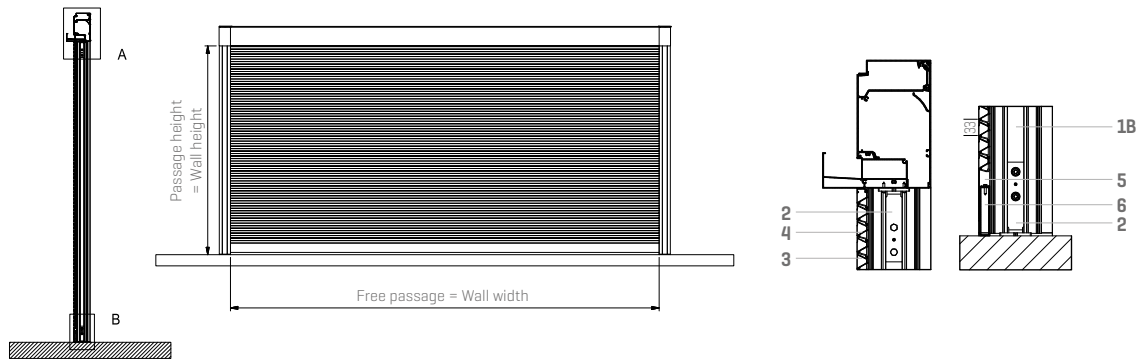
- Horizontally placed closed Linius blades (L.033.CL) **[4]**
- Seamless across the entire width
- On one or both sides of the support profile **[1A]**
- Long under blade **[5]** to provide an optimal finish to the wall
- Finishing skirting **[6]** underneath to fill openings due to height differences (up to 6 cm) in the terrace
- Railing: Top profile **[7A]** Algarve: 110 x 53 mm) **[7B]** Camargue & Skye: 150 x 50 mm)



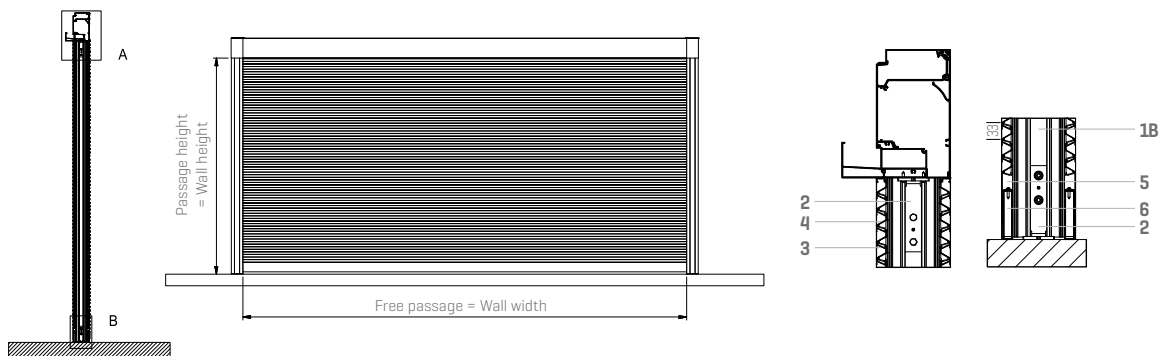
# LINIUS WALL

## Camarque® / Skye®

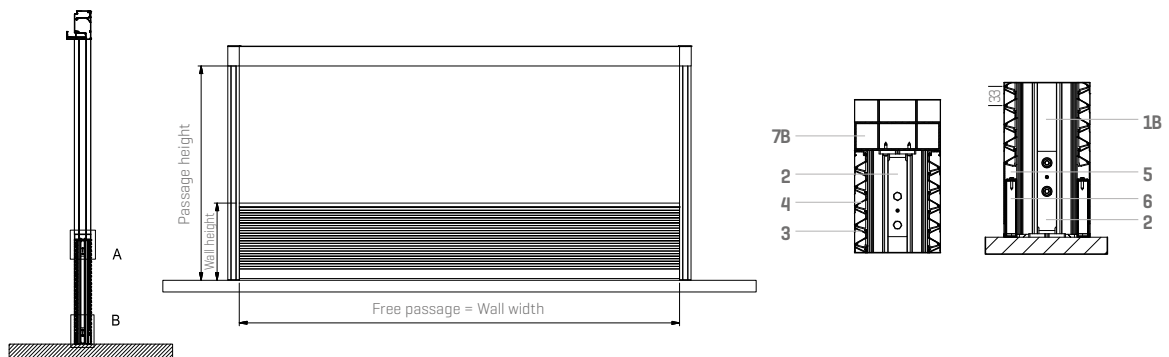
### One-sided



### Two-sided



### Two-sided as half-high wall



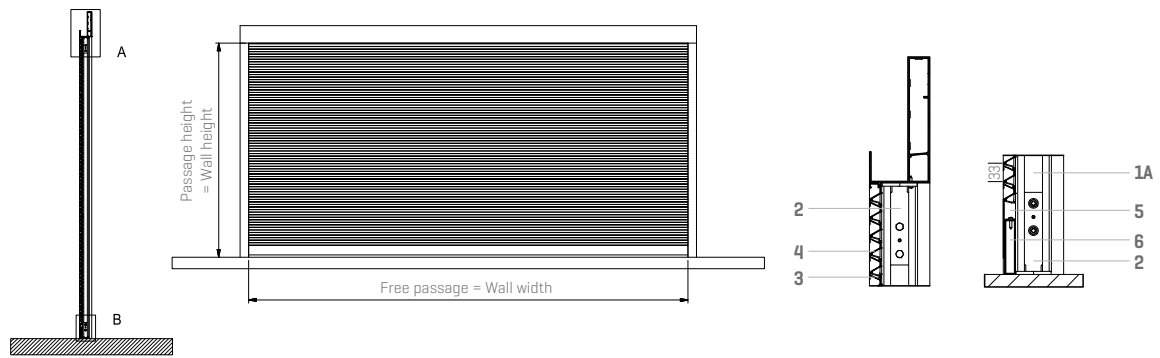
- 1B** Support profile 105 x 30 mm
- 2** Mounting brackets
- 3** Panel holders L033.11

- 4** Linius blades L.033.CL
- 5** Lange under blade

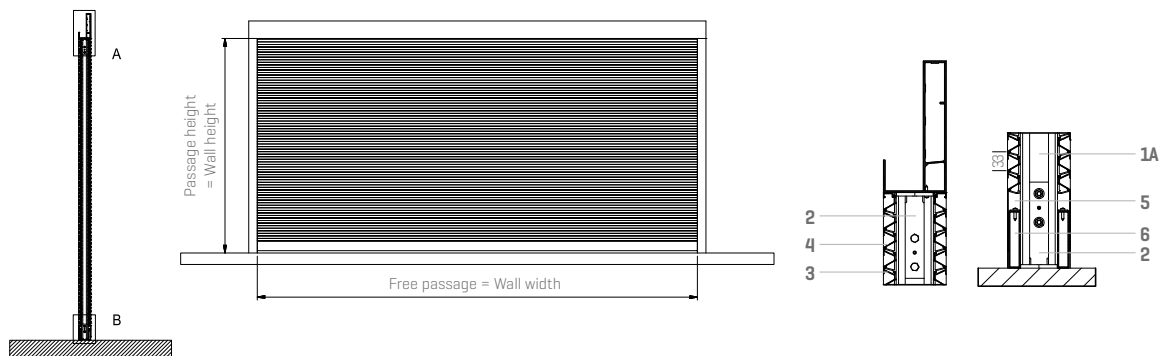
- 6** Finishing skirting
- 7B** Top profile 150 x 50 mm

Algarve®

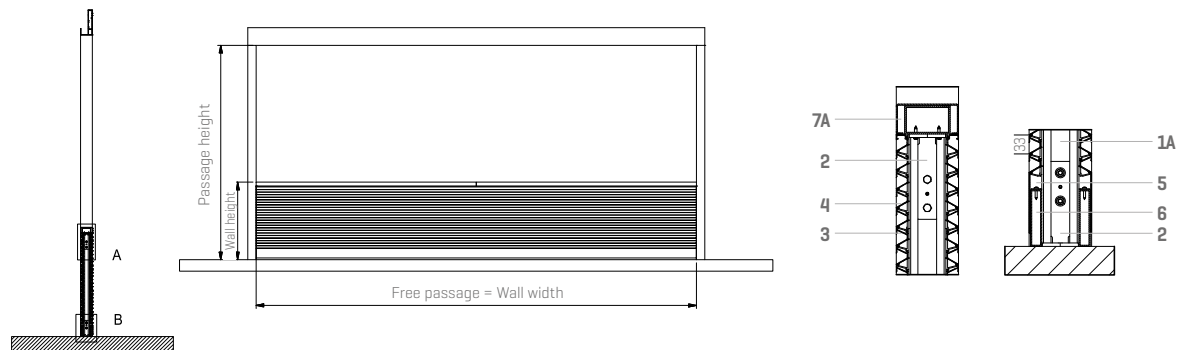
One-sided



Two-sided



Two-sided as half-high wall



- 1A Support profile 65 x 30 mm
- 2 Mounting brackets
- 3 Panel holders L033.11

- 4 Linius blades L.033.CL
- 5 Lange under blade

- 6 Finishing skirting
- 7A Top profile 110 x 53 mm



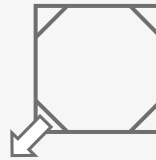
# LIGHTING AND HEATING

Integrated LED lighting, heating, and sound systems are the perfect additions to Lagune, Skye, Toscane, Algarve, Algarve Roof, and Camargue. Thanks to these extra features, the terrace can be used from early morning to late evening, all year round. The Beam is also available separately. Moreover, these additions can be perfectly integrated afterwards.

## LIGHTING

### Colomno LED

LED lighting integrated into Camargue and Skye columns. A maximum of one LED strip can be integrated into each column (on the inside of the column). There can be a total of four columns fitted with integrated LED lighting per roof section.



Colomno LED

### Lagune® LED

Integrated LED lighting in the side channels of the Rooffix - Lagune.



Lagune® LED

### Lapure® LED

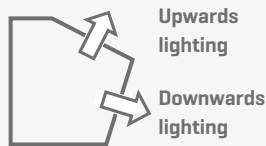
Sliding crossbeam of 45 x 70 mm with dimmable LED lighting. Adjustable up to 35° so that the lighting beam can be vertically focused under any angle of inclination on the roof.



Lapure® LED

### UpDown LED

Integrated LED lighting on the inside of the frame. Fitted with lighting running upwards and/or downwards. This lets you create indirect or direct ambient lighting with Camargue, Skye, Algarve, and Algarve Roof. A total of two UpDown LED lighting modules can be installed per roof section. This can only be done on either the Pivot side or the Span side.



UpDown LED

### Lineo LED

LED lighting integrated into Camargue, Algarve, and Algarve Roof blades. Even distribution without visible bright spots thanks to high-quality LEDs (180 per metre).



Lineo LED



Toscane® LED



**LED lighting:**

- Warm white [3,000 K]: perfect for creating ambiance, cosy gatherings, etc.
- Pure white light [5,000 K] [perfect for reading, etc.]
- RGB

	Warm white light	Pure white light	RGB [colour]	Dimmable
Lagune® LED	✓	✓	-	✓ [io]
Lineo® LED*	✓	✓	-	✓
Colomno LED**	✓	✓	-	✓
UpDown LED** Upwards	✓	✓	✓	✓
UpDown LED** Downwards	✓	✓	-	✓
Toscane LED	✓	✓	-	-
Lapure LED	✓	✓	-	✓

\* Warm white: 1,660 lm/m [180 LEDs/m] • Pure white: 1,660 lm/m [180 LEDs/m]  
 \*\* Warm white: 550-680 lm/m [120 LEDs/m] • Pure white: 550-680 lm/m [120 LEDs/m] • RGB: 570-700 lm/m [60 LEDs/m]

**HEATING AND LOUDSPEAKERS**

**Beam:** design beam fitted with: **Heat and Sound**



*Integrated heating elements and loudspeakers*

To enjoy your heater to the fullest, we recommend adding components [such as glass walls, Fixscreen, etc.] that will enclose the patio cover. The perfect position for the heater is across from the fixed wall so that you can enjoy the reflected heat.

**Beam**

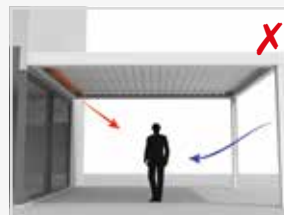
- Profiles: Aluminium – powder coating, architectural textured coating and all RAL colours, painted in the same colour as the covering
- Endcaps: Cast aluminium, painted in the same colour as the covering
- Integration: The Beam is fitted on the inside of the covering. This module is adjustable up to 30° without extra steps
- Dimensions: The length of the Beam follows the length of the covering so that it is as visually appealing as possible in the structure  
H x D: 200 x 90 mm

**Heat**

- Profiles: Visible aluminium parts, anodised black  
The Heat cover plate is made from heat-resistant, black ceramic glass (Schott), which allows infrared light through and is extremely resistant to heat and sudden changes in temperature
- Numbers: Algarve, Camargue, Skye  
– for Span / Pivot up to 4,500 mm: 1 Heat element per Beam  
– for Span / Pivot size exceeding 4,500 mm: 2 Heat elements per Beam  
Lagune:  
– width up to 4,000 mm: One Beam with one Heat element  
– width 4,001 – 8,000 mm: One Beam with two Heat elements  
– width 8,001 – 12,000 mm: One Beam with three Heat elements
- Dimensions: Fully integrated in the Beam  
Fixed length heat element: 725 mm
- Heating: Radiated heat  
Short-wave infrared transmitter  
Capacity = 2,400 W  
Amperage: 12 A / Heat  
IP 65
- Control: Operated using Somfy RTS remote control or own controls  
Excluding receiver, remote, and control  
Somfy Heating Modulis Receiver RTS with suspension bracket and fixing materials – one needed for each Heat element  
Possibility of ON/OFF and 33%, 66%, and 100%  
The Somfy Heating Modulis Receiver RTS is integrated into the Beam

**Sound**

- Speakers: 4 ohm Marine Speakers IP 65  
120 W Peak capacity  
Frequency response: 90 Hz – 22 kHz
- Parts: Cover plate in black anodised aluminium  
2 Speakers per Beam
- Control: Can be connected to an amp / radio as standard using the provided audio cables  
Bluetooth amp option for autonomous operation and control via smartphone or tablet
- Integration: Full integration into the Beam
- Dimensions: W x H: 180 x 180 mm







# LINEO® LUCE GLASS ROOF BLADES

Transparent glass blades can be integrated into the Camargue, Algarve and Algarve Roof. More openness is created thanks to these transparent Lineo Luce blades. This is a way to bring more light into your home when adding on an extension.

A total of five transparent blades can be installed per roof section. These can either be put all together or spread out across the roof section. Maximum Span size: 4 metres.

The ideal solution for letting light in even when the roof is closed!

Lineo Luce blades cannot be combined with Wooddesign roof blades.



Safety glass 8 mm



Light in the home with closed roof



Light under the patio cover with closed roof





# PAINT COLOURS

Our patio covers are powder-coated with 'Seaside quality' pretreatment as standard. The products are available in any RAL colour in structurally textured finishes at no extra cost. Two-toned at no extra cost.

Renson recommends using textured coatings to achieve an architectural, contemporary look. Moreover, architectural textured coatings are better suited for use outdoors and scratches are less visible.

## WOODDESIGN

Camargue, Skye, and Algarve can be fitted with Wooddesign roof blades. These aluminium roof blades are available in white oak, natural oak, or walnut.

Wooddesign roof blades give a natural wood appearance to the roof, while providing all the advantages of aluminium with respect to ease of maintenance, and colour and shape retention.

The LED blades are also available as a Wooddesign variant. The blades of the Loggialu and Loggialu Privacy sliding panels are available in three Wooddesign versions.

Wooddesign roof blades combine perfectly with Loggialu Wooddesign sliding panels.



White oak



Natural oak



Walnut



# CONTROL

You can control your patio cover easily using Somfy automation. You can control the roof and/or the screens of your patio cover with a remote control. Depending on the desired use and the number of screens, you can choose from several different remote controls.



## LAGUNE® & LAPURE®

### Somfy® IO Home Control® & RTS

The Lagune & Lapure can be controlled using the Somfy IO Home Control or Radio Technology Somfy (RTS). Somfy IO Home Control is a two-way, wireless radio communication technology that is used in a large number of applications for specialised partner brands in the residential sector.



Control

## ALGARVE® / TOSCANE® / CAMARGUE®

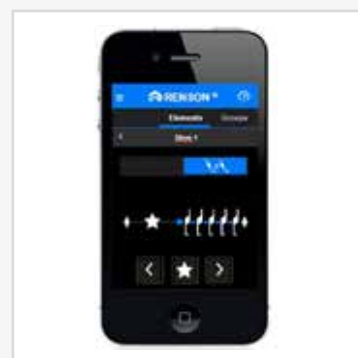
### RTS

Camargue/Algarve/Toscane is controlled using Radio Technology Somfy (RTS).

## SKYE®

### App

Skye is controlled using Renson's user-friendly mobile app.



Smartphone

## TAHOMA®

Thanks to TaHoma, the user friendly Somfy control, you can control your patio cover using your Smartphone, tablet, or computer. With RTS control, there is no feedback.



TaHoma®

## RAIN AND WIND SENSOR

In order to offer the best protection, our patio covers can be combined with a rain or wind sensor.



Wind sensor

# TESTS

Our patio covers offer protection and comfort at various levels. In order to guarantee this comfort, they are thoroughly tested for water resistance, load-bearing capacity, and wind resistance.



## WATER TESTS

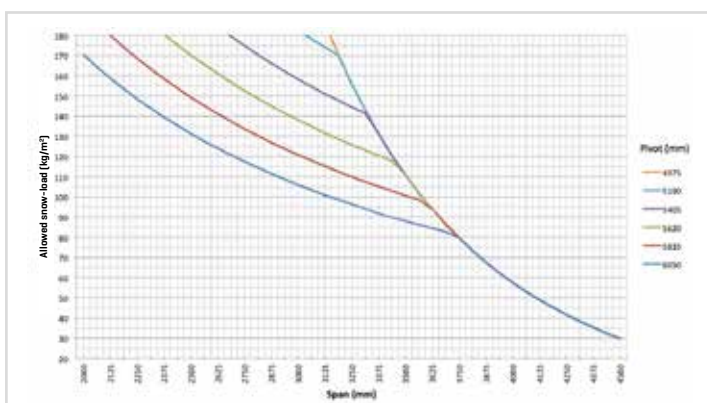
Water resistance and water drainage is tested using a spray installation that mimics rain. For example, we check the how much flow our patio covers can drain and how this drainage can be optimised:

- **Algarve:** The Algarve can drain an amount of water equivalent to rain with an intensity of between 144 mm/hr and 180 mm/hr that last up to 2 minutes. These kinds of rains occur on average once every 10 years in Belgium. [See Belgian rain statistics: NBN B 52-011 standard]
- **Camargue and Skye:** The Camargue and Skye can drain an amount of water equivalent to rain with an intensity of 180 mm/hr that last up to 2 minutes. These kinds of rains occur on average once every 15 years in Belgium. [See Belgian rain statistics: NBN B 52-011 standard]
- **Lagune:** The Lagune can drain an amount of water equivalent to rains with an intensity of 180 mm/hr that last up to 2 minutes. These kinds of rains occur on average once every 15 years in Belgium. [See Belgian rain statistics: NBN B 52-011 standard]

## LOAD-BEARING CAPACITY

Patio covers are subjected to various external forces (e.g. snow). The load-bearing capacity is determined using static strength calculations carried out by our engineers and validated through internal tests. The basic principle is that the construction may bend 1/200th of its longest dimension without permanent deformities occurring.

The load capacity of Algarve and Camargue is dependent on the basic structure and the surface area. The following diagram indicated the load capacity depending on the Span and Pivot dimensions.



Algarve® & Camargue® load capacity

Specifically: A patio cover with a Pivot of 6,000 mm and a Span of 4,000 mm can bend by 30 mm with a load-bearing capacity of 55 kg/m<sup>2</sup> [i.e. 1,320 kg across the entire patio cover]. Another example: a patio cover with a 3,375 mm Span and a 5,835 mm Pivot can bear a load of at least 110 kg/m<sup>2</sup> [i.e. 2,160 kg!].

External testing of the Camargue show that it bears up at 200 kg/m<sup>2</sup>, even with the largest size of patio cover.

## WIND TESTS

In order to determine the wind forces that our patio covers and vertical sun protection screens can withstand, wind tunnel tests were carried out.

### Algarve® and Skye®

The 4,000 X 4,000 mm Algarve and Skye were tested in winds up to 120 km/hr [12 Bft]. We can conclude from this that the blades should be closed when wind speeds exceed 50 km/hr [7 Bft] and that no problems occur when blades are closed in winds up to 120 km/hr. Warranty valid up to 120 km/hr when blades are closed.

### Camargue®

The 4,000 X 4,000 mm Camargue was tested in winds up to 160 km/hr [12 Bft]. We can conclude from this that the blades should be closed when wind speeds exceed 50 km/hr [7 Bft] and that no problems occur when blades are closed in winds up to 160 km/hr. Warranty valid up to 160 km/hr when blades are closed.

### Lagune®

The Lagune Rooffix was tested in winds up to 120 km/hr [12 Bft] and experienced no issues when the sun protection fabric is fully rolled up. The sun protection fabric must be retracted at wind speeds exceeding 120 km/hr.

Warranty valid up to 120 km/hr when sun protection fabric is fully rolled up.

### Integrated Fixscreen®

The Integrated Fixscreen is stable up to 60 km/hr [7 Bft]. The sun protection fabric must be retracted at wind speeds exceeding 30 km/hr.

Warranty valid up to 60 km/hr when closed.

### Lapure®

The Lapure can be controlled in wind speeds of 50 km/hr. The sun protection fabric must be retracted at wind speeds exceeding 100 km/hr.

Warranty valid up to 100 km/hr when sun protection fabric is fully rolled up.



	Warranty with closed roof/screen up to	Control roof/screen up to
Camargue	160 km/hr 12 Beaufort	50 km/hr 7 Beaufort
Algarve Skye	120 km/hr 11 Beaufort	50 km/hr 7 Beaufort
Lagune	120 km/hr 11 Beaufort	50 km/hr 7 Beaufort
Lapure	100 km/hr 10 Beaufort	50 km/hr 7 Beaufort
Toscane	50 km/hr 7 Beaufort	50 km/hr 7 Beaufort
Integrated Fixscreen	60 km/hr 7 Beaufort	30 km/hr 5 Beaufort

## BEAUFORT SCALE

Beaufort	Description	Average speed in m/s	Average speed in km/hr	Effects
0	Calm	< 0.2	< 1	You don't feel the wind. Smoke will rise virtually straight up.
1	Light air	0.3 - 1.4	1 - 5	Wind direction can be read from the smoke plume, but not from the weather vane.
2	Light breeze	1.5 - 3.4	6 - 12	Wind can be felt on the face, leaves rustle, the weather vane moves visibly with the wind.
3	Gentle breeze	3.5 - 5.4	13 - 19	Flags wave and leaves move about constantly.
4	Moderate breeze	5.5 - 7.4	20 - 27	Dust blown up irritates eyes. Hair is awry.
5	Fresh breeze	7.5 - 10.4	28 - 37	Bushes rustle, white-topped waves on lakes and canals.
6	Strong breeze	10.5 - 13.4	38 - 48	Umbrellas are difficult to hold on to, large branches sway, power lines hum
7 Toscane, Fixscreen	High wind, moderate gale, near gale	13.5 - 17.4	49 - 62	It is difficult to walk into the wind. Trees sway.
8	Gale, fresh gale	17.5 - 20.4	63 - 73	Making headway is very difficult. Small branches break off.
9	Strong/severe gale	20.5 - 24.4	74 - 87	Chimney tops, roofing tiles, and antennas blow away.
10 Lapure	Storm, whole gale	24.5 - 28.4	88 - 102	Adults blow over. Major damage to buildings.
11 Skye, Algarve, Lagune	Violent storm	28.5 - 32.4	103 - 117	Major damage to houses and forests.
12 Camargue	Hurricane force	> 32.5	> 118	Total destruction.

# WARRANTY

All of the materials we use are of high quality and have been modified for the intended purpose.



## As manufacturer, we guarantee:

- 5-year\* warranty on all defects arising from normal use and maintenance.
- 5-year warranty on the electronic controls.
- 2-year warranty on the Crystal fabric.
- 10-year colour-fastness warranty for the coating on the aluminium parts.
- 5-year warranty on the gloss on the lacquered profiles.
- 7-year warranty on the Fixscreen technology: the zip remains in the side channel, optimal stitching of zip to fabric.



The warranty covers the delivery of replacement parts, assembly on site by an installer [possibly assisted by a technical employee from RENSON Sunprotection-Screens], or a complete revision of the system by the manufacturer at our location. The assembly costs [travel + hourly rate] are not covered by this warranty.



The warranty period starts on the date of production and applies only to the product itself, and not to the installation of it.

The warranty is only valid if the product is used and maintained in accordance with the instructions contained in the manual. The warranty is voided if the product is used incorrectly or in an abnormal fashion.

\* See our warranty terms and conditions.



# MAINTENANCE

Your patio cover will always be exposed to the elements outside. If you want to be able to enjoy your Renson covering to the fullest at any time, then we recommend maintaining it regularly, i.e. once or twice a year. This means the covering will last longer.

## Easy maintenance using the Renson Maintenance Kit

The following are important:

- The structure is made using powder-coated aluminium. An annual cleaning using the **Renson Maintenance Kit** products will ensure that the intense colour is maintained for years, as well as providing extra protection from acid rain, sea air, and UV rays. We recommend carrying out maintenance on your installations at least twice a year in coastal or forested regions.
- De **Renson 'Clean'** is a concentrated product with strong cleaning and degreasing properties to deal with the most frequent kinds of natural filth, such as dust, oily precipitation, grease stains, moss, insect remains, etc.  
This product cannot be compared to most common cleaning products. It penetrates deeply and 'lifts out' the dirt. This product can also be used to clean the polyester fabric roofs and vertical fibreglass fabric screens.  
After cleaning, you must protect the aluminium structure using **Renson 'Protect'**. This leaves a protective film that allows the surface to be cleaned by simply wiping it down using a minimum amount of **Renson 'Clean'**. It also protects the aluminium from acid rain, sea air, UV rays, and ensures that the colour remains just as intense.
- Do not use either product in direct sunlight or in hot weather. The product's quick-drying action can leave stains on the structure or the fabric screen. Do not use corrosive or harsh products, scouring pads, or other scouring products. Do not use high-pressure equipment in any case whatsoever.



Renson Maintenance Kit



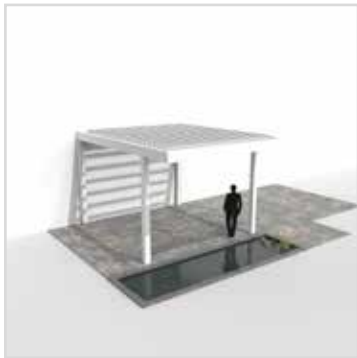
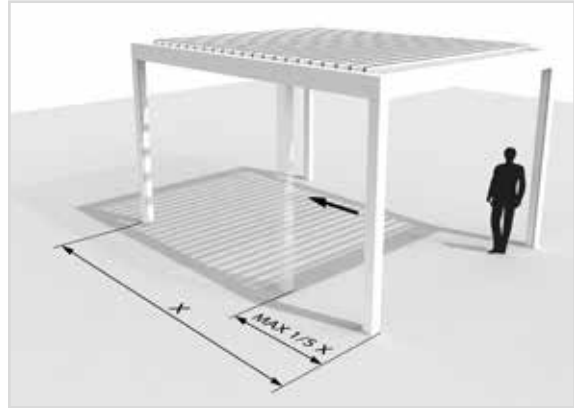
# FAQ AND TIPS

## COLUMN POSITIONS

Algarve®, Camargue®, Lapure® & Skye®

Algarve, Camargue, and Lapure can be ordered with 'shifted' columns. This can be useful if, e.g. the patio cover needs to extend further than the terrace [but the columns still need to be on the terrace] in order to provide enough shade even when the sun is low in the sky.

You can also opt for shifted columns due to placement or architectural reasons. The column can be shifted a maximum of 1/5th of the total Pivot length. The columns cannot be shifted on the Span side.



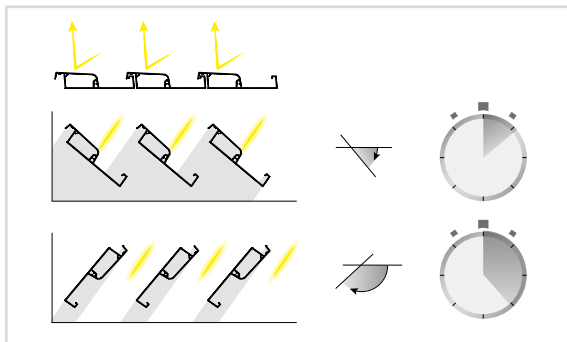
## BLADE ROTATION DIRECTION

Algarve® & Camargue®

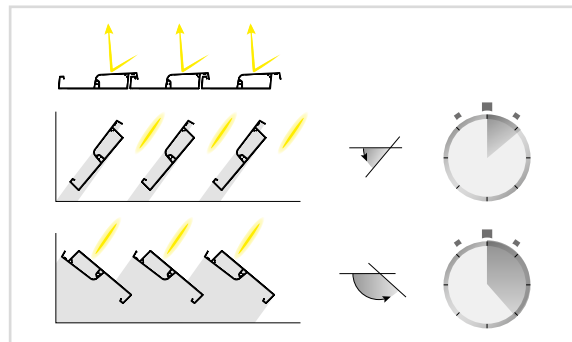
Think about the direction you want your blades to rotate. Do you want to be able to protect against the sun for as long as possible or allow as much light in as possible? You can make this choice with Renson.

E.g. when adding on to a kitchen or a living room, people usually want to get as much light in as possible. The blades rotate from the Span side S2 as standard, to the extent that the southern sunlight [Span side S1] is blocked when opening the blades.

You can also turn the standard sun protection blades in slightly by rotating them more. When the blades are turned slightly in, the blades will move into the correct angle more quickly.



STANDARD SUN PROTECTION:  
Keeps light out when opening  
[ideal for high usage in the summer]



Lets light in when opening  
[ideal for high usage in the winter]



## COLUMN DIMENSIONS

Algarve®, Camargue®, Lagune®, Lapure®, Skye® & Toscane®

Columns with 'overlength' or 'negative' overlength can be ordered. A column with [or without negative] overlength [i.e. longer/shorter than the intended passage height] can be useful for, e.g. sloping terraces or terraces with height differences, because a column could be mounted on, e.g. the wall, or other options.



## OPTIONS AFTER ORDERING

Lagune®, Camargue®, Toscane® & Skye®

Options, such as Fixscreens can be perfectly integrated into Lagune, Camargue, and Skye. Options that can be integrated in a later stage are available for the Lagune and Camargue. This makes it possible to spread out your spending. If Toscane is fitted with a large front beam, integration options are available that can be fitted on the front side at a later stage.

## BLADE COLOUR:

Algarve®, Camargue® & Skye®

Algarve, Camargue and Skye are available in two colours (frame and columns in a different colour than the roof blades) at no extra cost. Tip: select a lighter colour for the blades when the structure is a darker colour. A darker roof blade colour creates the impression of a lower ceiling. A lighter colour creates a sense of more space.



## VERANDA

Is a patio cover such as Algarve or Camargue similar to a veranda? No! A veranda is an extension of the living space enclosed in glass, creating an enclosed space that is completely wind and waterproof. In contrast, a patio cover is an open aluminium structure with a roof of rotating, aluminium blades that [possibly combined with side panels] primarily offers shelter from the sun and, to a more limited extent, bad weather conditions. It is the outdoors that permeates the space under a patio cover so that the users can enjoy the ambiance, scents, colours, and sounds of the garden. Thus, it's best to use weather-resistant garden furniture under the Algarve or Camargue.

## WIND

Algarve®, Camargue® & Skye®

If high winds are forecast, we recommend closing the bladed roof [possible with wind speeds of up to 50 km/hr]. The entire structure is more solid and can withstand the wind better when the bladed roof is closed. We also offer a warranty on Algarve, Camargue, and Skye with closed roof for wind speeds of up to 120 km/hr!

## SCREEN OR BLADES?

**Algarve®, Camargue®, Lagune®, Lapure®, Skye® & Toscane®**

Should I opt for a patio cover with a bladed roof [Algarve & Camargue] or with a fabric screen roof [Lagune & Lapure]?

Each type of patio cover has its own advantages. A covering using a sun protection screen can be opened up completely. This way you can keep out the sunlight or let it in completely depending on the weather conditions. Patio covers with roof blades allow the user to control the amount of sunlight based on what is desired; when there is too much sunlight, the blades can be closed completely, but the roof can never be opened up completely to let in all of the sunlight.

	Louvered roof	Screen roof	Velum fabric roof
<b>Roof</b>	Horizontal	Always inclined	Always inclined
<b>Position</b>	Constructed, recessed or free-standing	Single construction	Single construction
<b>View with 'open' roof</b>	Roof blades rotate to open but don't 'disappear'	'Roof' completely disappears	'Roof' compactly folded against the façade
<b>Light with a 'closed' roof</b>	Opaque [except Lineo Luce blades]	Transparent	Optional: transparent or opaque fabric
<b>Load-bearing capacity</b>	Can bear snow	Cannot bear snow	Cannot bear snow
<b>Roof colour</b>	All possible colours	Limited range of colours available for fabric roof	Limited range of colours available for fabric roof



### LOW SUN: FIXSCREEN®

**Lagune®, Camargue®, Algarve®, Toscane® & Skye®**

When the sun is low in the sky, sunlight can come in underneath the patio cover and into your home. This is ideal for naturally warming your house up in the winter. However, this sunlight can be disruptive at times and cause temporary blindness, colours to fade, or reflections on the TV and computer screens. The incoming sunlight is reduced thanks to the vertical sun protection screen [Fixscreen] in the sides of your patio cover. At the same time, contact with the outdoors is maintained because the fabric is transparent.



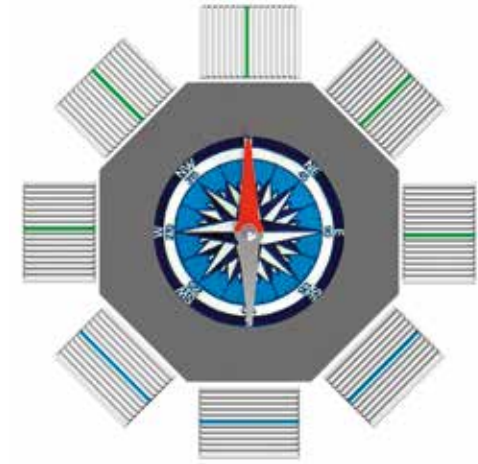
## TERRACE ORIENTATION

Algarve®, Camargue® & Skye®

Depending on the orientation of the terrace, you can position the covering differently.

A patio cover with screen fabric or adjustable blades are both good solutions for a terrace facing southwards. You can keep the heat of the sun at bay by rolling out the fabric or closing the blades. It is best to install the blades of a bladed roof parallel to the home. This way you can best control the amount of sunlight that gets in: entirely or partially kept out or allowed to come in.

It is a good idea to install the blades perpendicular to the wall for a terrace that faces northwards. This is the best way to control the light coming in from the east and west, while the most light can be achieved when open.

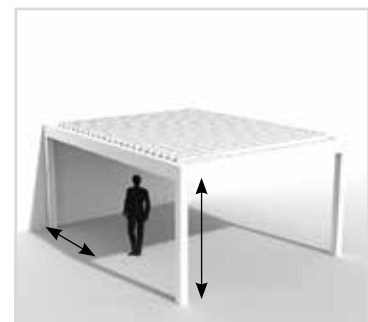
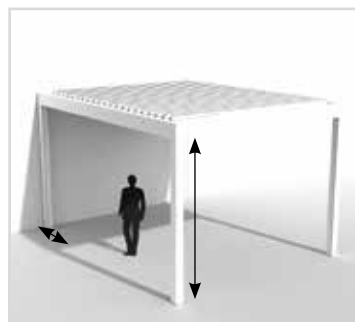


- E-NE-N-NW-W: blades perpendicular to the wall.
- SW-S-SE: blades parallel to the wall.

## PASSAGE HEIGHT

Algarve®, Camargue® & Skye®

The passage height for a bladed roof is optional. People will usually choose a height for a specific situation (e.g. if there is a rain gutter or window in the way in a construction situation, etc.) or for personal reasons. A tall person prefers a higher passage height to have a certain amount of 'openness'. On the other hand, it is best to have the lowest possible passage height for the most shade.







# RENSON® ACADEMY

## **Why?**

Our products will work properly depending on the quality and whether these are properly installed and adjusted by the installer. As manufacturer, we also ensure that the installers do their work properly.

## **How is this achieved?**

Installers receive intensive education at Renson's training center where our in-house training staff offer hands on as well as classroom instruction.

## **Result?**

Well-functioning systems that provide residents with a comfortable and healthy environment that satisfies all technical and quality requirements.

## **More info?**

[www.renson.eu/training](http://www.renson.eu/training)

# RENSON® PRE- & AFTERSALES

## **Why?**

A specific project? We work with you to find a suitable solution. You can also contact us when you have questions about an installation.

## **How is this achieved?**

A team of technically expert staff is ready to provide you with the right answers to your questions.

## **Result?**

A suitable solution and excellent after-sales service for every project.

Get inspired in our showroom  
EXIT 5 in Waregem along the E17

# EXIT 5

EXPERIENCE, INNOVATION & TECHNOLOGY @ RENSON

## WE WOULD BE HAPPY TO HELP YOU!

Our head office – the elegant building designed by the late architect Jo Crepain, which has been the visiting card of our company for many years – is now being renovated. The bottom part of the building now has an imposing glass façade. Behind the façade, there is a new Customer Centre with reception rooms for customers, conference rooms, and an auditorium, where large groups of more than 300 people can participate in presentations. In case of smaller groups, this auditorium can also be divided into three separate rooms.

The highlight of the project is the new showroom of 1,250 m<sup>2</sup> that can accommodate both professional and private customers. In addition to a showroom for Renson's various innovative solutions and concepts, we plan to expand this showroom into a centre of expertise, where customers can find answers to their questions about ventilation, heating, sun protection, ventilated cooling, acoustics, interior, etc. In brief, everything needed to provide a home with all desired comfort. It is also possible to arrange visits to view Renson solutions integrated in show houses nearby.

*For more information about our network of RENSON ambassadors, please visit our website at: [www.renson.be](http://www.renson.be)*

# RENSON®: YOUR PARTNER IN VENTILATION, SUN PROTECTION, AND OUTDOOR

- **Creating healthy spaces**

We have been developing energy-efficient solutions that provide a healthy and comfortable indoor climate in buildings since 1909. Our strikingly designed head office is a beautiful example that reflects our corporate mission. It is built in accordance with the Healthy Building Concept.

- **No speed limit on innovation**

A multidisciplinary team of more than 80 R&D employees continually optimise our existing products, and develop new and innovative total concepts.

- **Strong in communication**

Contact with the customer is of the utmost importance. A group of more than 100 employees worldwide and a powerful international distribution network are ready to advise you on-site. EXITS in Waregem also gives you the opportunity to experiencing our products in person and provides continuous training to our installers.

- **A reliable partner in business**

Thanks to our environmentally friendly and modern production facilities (including automatic powder-coating installation, anodisation unit, PVC injection moulding, mould-making), with a total surface area of 95,000 m<sup>2</sup>, we can always guarantee optimal quality and service to our customers.

# OutdoorStyle

[www.outdoorstyle.co.nz](http://www.outdoorstyle.co.nz)

**Auckland Showroom**  
Home Ideas Centre  
165 The Stand, Parnell  
Auckland, 1010

**Christchurch Office**  
21 Mandeville St  
Riccarton  
Christchurch, 8011

[design@outdoorstyle.co.nz](mailto:design@outdoorstyle.co.nz)

0800 004 709

