



Cassette awning

markilux ES-1

The designer awning made of stainless steel.



product
design award



reddot design award
winner 2001

markilux.com

markilux

safe timeless beautiful

Product characteristics

Wind resistance class 2
Beaufort 5 → 7.5–10.4 m/s → 28–37 km/h → 17–23 mph



1) face fixture



1) top fixture



2) during extension



3) folding arm with gas piston



4) attachment of the arm to the torque bar



5) arm connection to the front profile



1) face fixture, maximum pitch 30°



6) coverboard support with bracket, use for unit widths 451–500 cm



6) rolltex bearing (only for units from a width of 501 cm)



1) optional configuration

Product characteristics

Description

- worldwide the only awning made completely of matt-brushed, marine grade stainless steel! The awning meeting special requirements as a design object or for use in locations with special climatic conditions.

Special features

- the material quality meets high demands of corrosion resistance
- surrounding coverboard made of marine grade stainless steel – covering the roller tube for the internal protection of the awning fabric
- coverboard profile uniquely wave-shaped – this leads to effects of light refraction and underlining of the noble optics
- excellent tension of the folding arms provided by marine grade stainless steel gas pistons -ensuring optimal cover tension in any phase of extension
- front profile, torque bar and roller tube are extremely resistant to deflection and twist thanks to their dimensions
- pitch adjustment by means of the fixture brackets – thus constant perfect closing behaviour of the awning regardless of the inclination

Dimensions

- cassette in the standard version: depth 250 mm, height 285 mm
- single unit: minimum width 236 cm at the smallest projection of 200 cm
maximum width 600 cm at the largest projection of 350 cm or 650 cm at a maximum projection of 300 cm

Roller tube and lateral arm bearers

- strongest round roller tube Ø 95 mm with keyway, stainless steel – excellent stability, ensures near perfect cover performance even at the largest widths
- well-designed roller support brackets made of marine grade stainless steel

Awning profiles

- all profiles in stainless steel have a brushed finish
- surrounding coverboard in two parts, made of marine grade stainless steel
- circular front profile Ø 60 mm made of marine grade stainless steel, with keyway for a valance
- circular torque bar Ø 50 mm made of marine grade stainless steel

Folding arms

- folding arms made of marine grade stainless steel, visible surface with a brushed finish, with top mounted marine grade stainless steel gas pistons ensuring optimal arm pressure
- joint parts made of high-strength drop-forged stainless steel – visually merging into the arm profiles without any seams
- pivot bolts in stainless steel run in Teflon-coated bronze bushes – practically maintenance free, virtually silent and extremely hard-wearing

Side caps


- side cap of the awning as a deep-drawn part made of marine grade stainless steel
- end caps of torque bar, roller support bracket and front profile made of massive marine grade stainless steel

Fixture brackets


- face fixture, top fixture, eaves fixture
- high-strength marine grade stainless steel
- pitch range 0°–30°, infinitely adjustable


Dimensions and configuration options


Single unit

	Overall awning width									Minimum width
	250	300	350	400	450	500	550	600	650	Motor
Order dimensions	236 250	251 300	301 350	351 400	401 450	451 500	501 550	551 600	601 650	
H	200	250	300	350	400	450	500	550	600	650
	1)	1)	1)	1)	2)	2)	2)	2)	2)	2)
	—	—	—	—	—	—	—	—	—	—
	—	—	—	—	—	—	—	—	—	—
	—	—	—	—	—	—	—	—	—	—
	—	—	—	—	—	—	—	—	—	—

- 1) = please note the minimum widths!
- 2) = in the case of face and top fixture: 2 brackets + 1 coverboard support with bracket in the case of eaves fixture: 3 eaves fixture brackets
- H = extension

 = 2 standard arms, 2 fixture brackets

 = 2 standard arms, 3 fixture brackets, 1 rolltex bearing

 = 2 standard arms

dimensions in cm

Operation	standard	optional	Coupled Awning
crank handle	—	—	not available
spring-assisted crank handle	—	—	
hard-wired motor	—	—	
silentec motor (optionally with an external io / RTS receiver)	—	—	
radio-controlled motor io, 868 MHz	✓	—	
radio-controlled motor RTS, 433 MHz	—	✓	
radio-controlled motor RTS, 433 MHz with manual override	—	—	

Awning cover	fabric range no.	standard	optional	Shadeplus / drop valance
sunvas	301.. / 309..-315..	✓	—	not available
perla	370..	—	✓	
sunsilk	324.. / 325.. / 328.. / 369..	✓	—	
perla FR	374.. / 375..	—	✓	
perfortex	331.. / 332..	—	—	
transolair	338..	—	—	
vuscreen Alu	317..	—	—	
Soltis Perform 92	92-20..	—	—	
glass fibre screen	272..	—	—	
valance, height 20 cm		✓	—	

Optional accessories

- valance
- infrared heater 2000 W / 2500 W
- infrared heater 2500 W with integrated radio-controlled receiver 868 MHz io
- LED spotline – light bar 110 × 70 mm with 5 W LED spotlights, width 180 cm / 3 spots or 300 cm / 5 spots
- LED spotline io – light bar 110 × 70 mm with 5 W LED spotlights with integrated dimmable radio-controlled receiver, width 180 cm / 3 spots or 300 cm / 5 spots
- LED spotline io – light bar 145 × 75 mm with 5 W LED spotlights with integrated dimmable radio-controlled receiver and remote control, 180 cm / 3 spots or 300 cm / 5 spots (discontinued from January 2018)
- automatic controls (light, wind, rain)

N.B! – Important background information can be found in the chapter “Optional Accessories”.

Fixture options

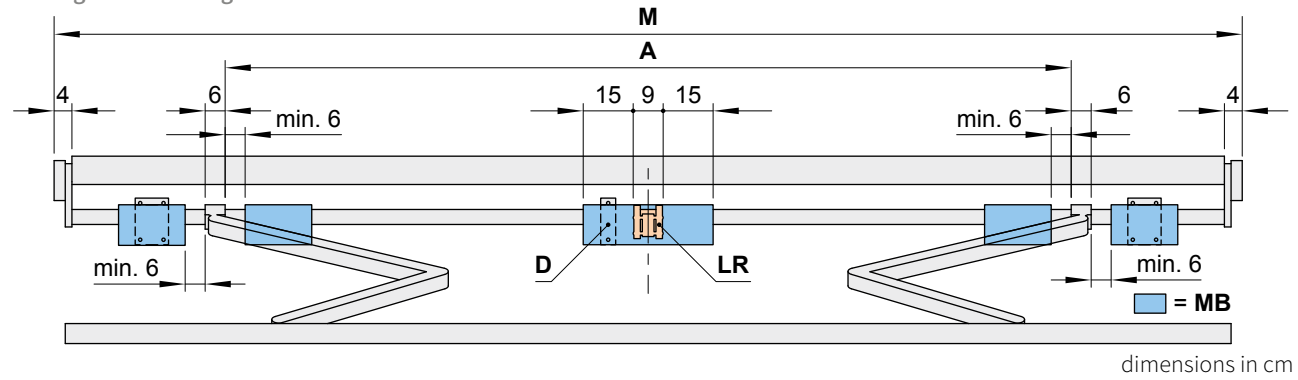
wall bracket 155 mm	744341
face fixture brackets for rolltex bearing 155 mm	746761
support assembly with wall fixture bracket	746331
top fixture bracket 155 mm	745791
top fixture bracket for rolltex bearing 155 mm	746771
support assembly with top fixture bracket	746341
eaves fixture bracket	745851
eaves fixture bracket	746781

01
02
03
04
05
06
07
08
09
10
11
12
13
14
15
16
17



Bracket fixture range

Awning with 2 folding arms



dimensions in cm

Overall awning width

	250	300	350	400	450	500	550	600	650
Order dimensions	236	251	301	351	401	451	501	551	601
	250	300	350	400	450	500	550	600	650

Arm position A

H	BHT	Arm position A								
		250	300	350	400	450	500	550	600	650
200	214 ¹⁾	229	262	292	332	372	407	442	472	
250	—	264 ¹⁾	379	292	332	372	407	442	472	
300	—	—	314 ¹⁾	329	332	372	407	442	472	
350	—	—	—	364 ¹⁾	379	387	407	442	—	

dimensions in cm

W	D	DE	DA	BHT	No. of brackets No. of fixing points		
					2 8	2 8	3 12
155	—	155	90	155	2 8	2 8	3 12
—	—	—	—	—	—	1 1	—
—	—	—	—	—	2 8	2 8	3 12
—	—	—	—	—	—	1 1	—
—	—	—	—	—	2 8	3 12	3 12

dimensions in mm

If the brackets cannot be positioned in accordance with this table, make sure the actual dimensions are noted on the order form!

1) = please note the minimum widths! In the case of small awnings the brackets can only be fitted inside the arms, i.e. the position denoted by measurement A.

A = arm position

BHT = bracket width

D = support assembly

DA = eaves fixture bracket

DE = top fixture bracket

H = order width = extension

LR = rolltex bearing

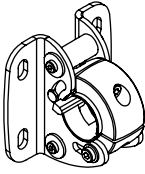
M = order dimension = awning width

MB = bracket fixture range

W = face fixture brackets

Face fixture

Fixtures, fittings and accessories



face fixture brackets
155 mm

744341



face fixture brackets
155 mm
for rolltex bearing

746761



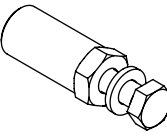
support assembly
with wall fixture bracket

746331



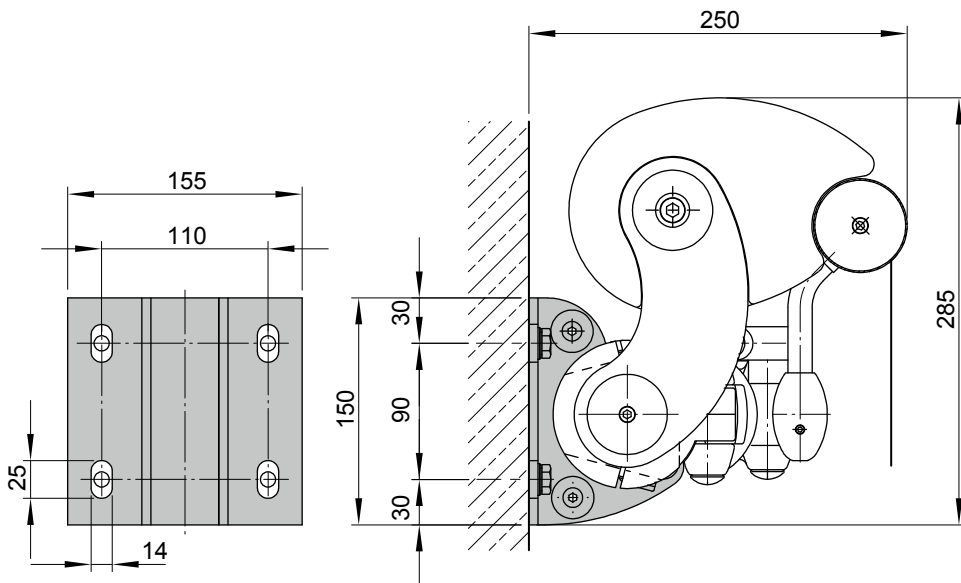
storm safety clip
N.B! to be recommended
in windy locations

725461



bolt reduction assembly
pack 10 pcs

M 16 → M 12 | M 16 → M 10 | M 12 → M 10 | M 10 → M 10



1) included with the delivery

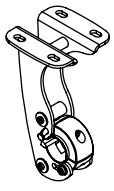
dimensions in mm

01
02
03
04
05
06
07
08
09
10
11
12
13
14
15
16
17

01
02
03
04
05
06
07
08
09
10
11
12
13
14
15
16
17

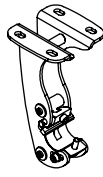
Top fixture

Fixtures, fittings and accessories



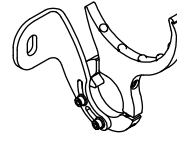
top fixture bracket
155 mm

745791



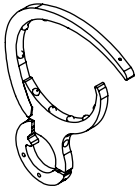
top fixture bracket
155 mm
for rolltex bearing

746771



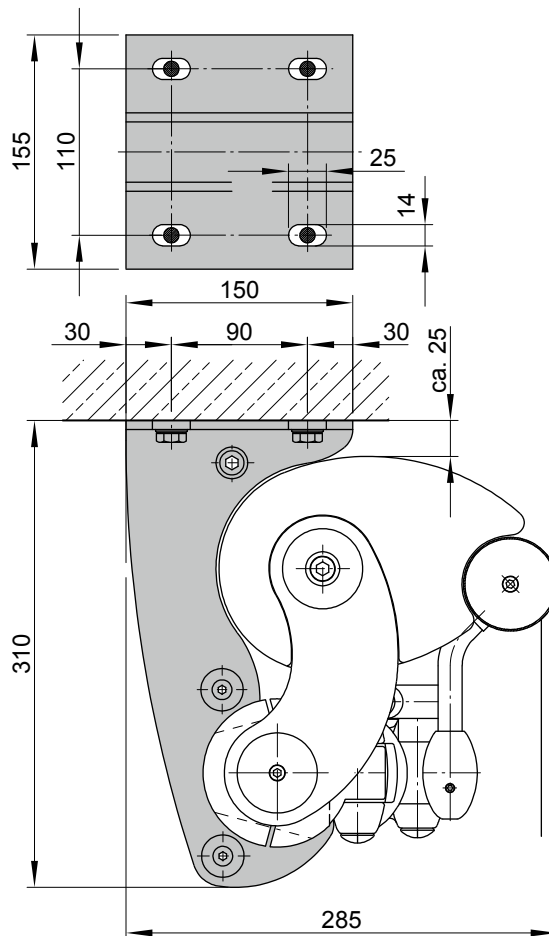
support assembly
with top fixture bracket

746341



storm safety clip
N.B! to be recommended
in windy locations

725461




1) included with the delivery

dimensions in mm


Eaves fixture

Fixtures, fittings and accessories



eaves fixture bracket
90 mm

745851



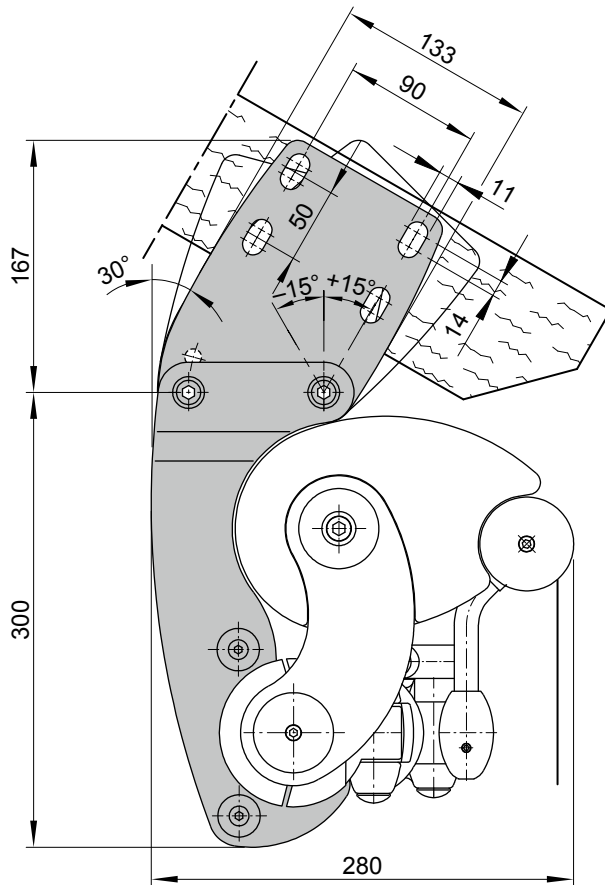
eaves fixture bracket
90 mm
for rolltex bearing

746781



storm safety clip
N.B! to be recommended
in windy locations

725461



dimensions in mm

01
02
03
04
05
06
07
08
09
10
11
12
13
14
15
16
17

01 Face fixture, dimensions at different pitch positions

02

03

04

05

06

07

08

09

10

11

12

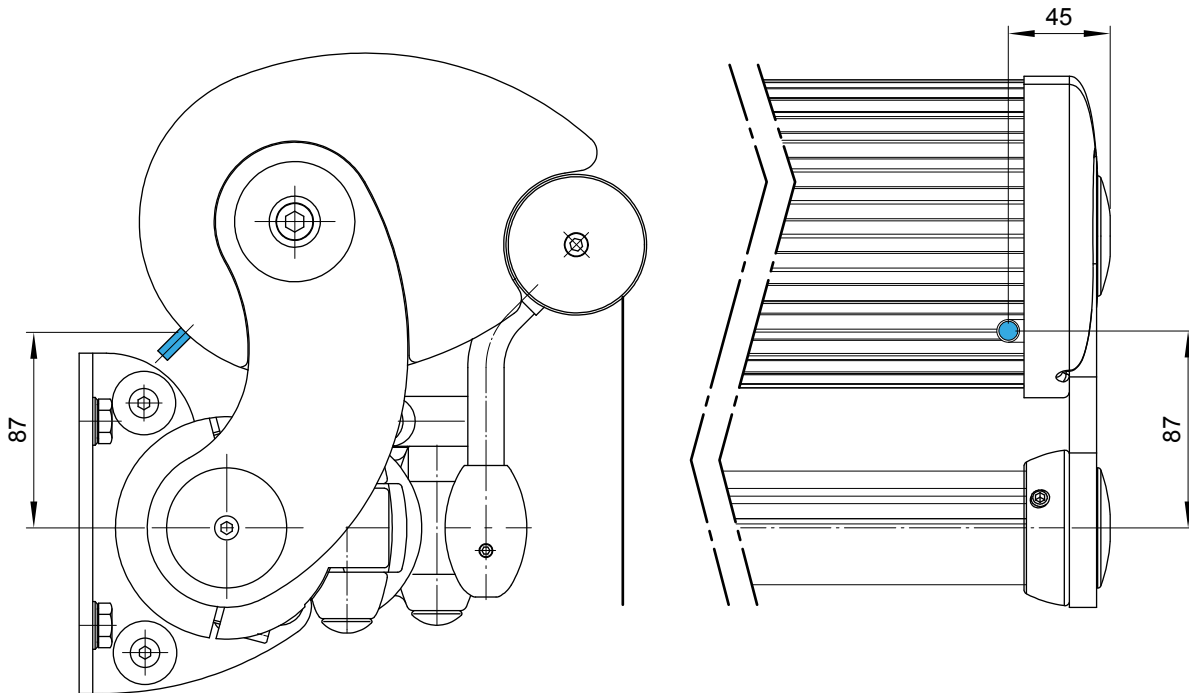
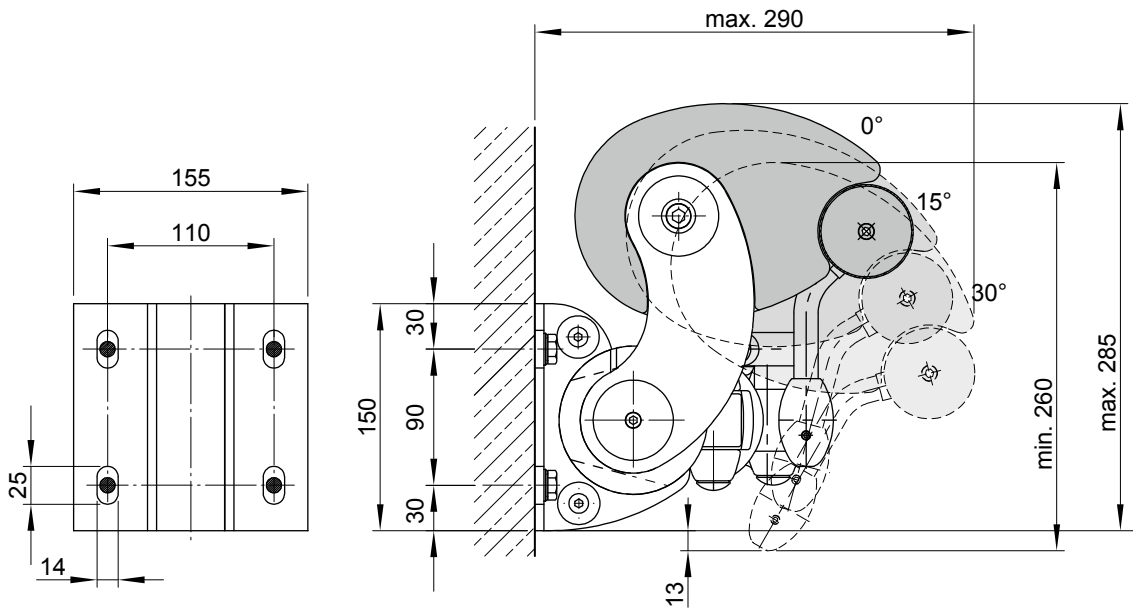
13

14

15 Motor cable exit point

16

17



dimensions in mm